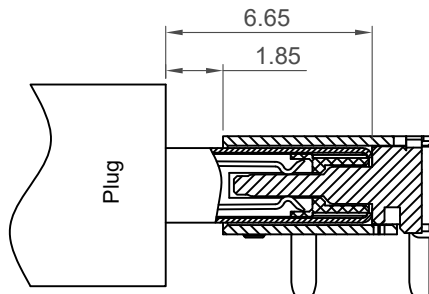
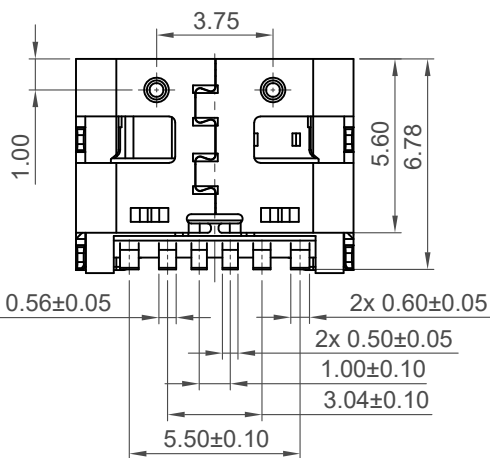
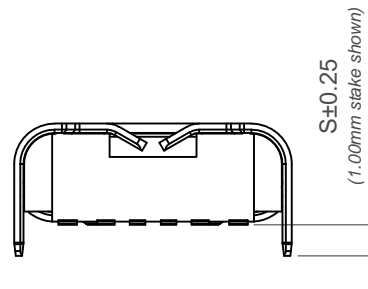
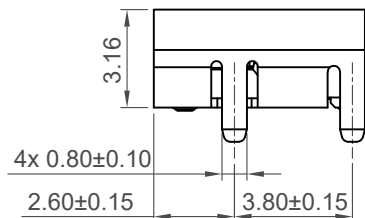
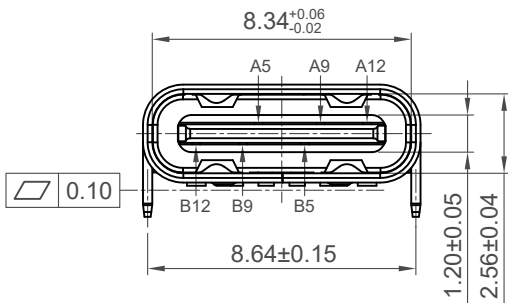


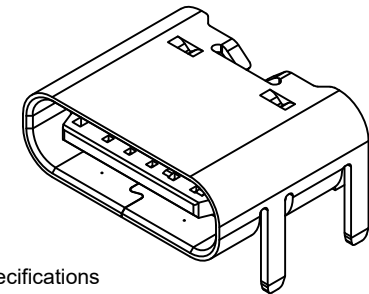
**Recommended PCB Layout**  
Thickness 1.00±0.10mm  
Tolerance: ±0.05mm

▨ Solder Area □ Component Outline



Plug and Receptacle Mating View

Pin	Signal	Mating Sequence
A5	CC1	Second
A9	Vbus	First
A12	GND	First
B5	CC2	Second
B9	Vbus	First
B12	GND	First
SHELL	GND	



**Specifications**

**Material**

Insulator: LCP, UL 94V-0, Black  
Contact: Copper Alloy  
Shell: Stainless Steel  
Middle plate: Stainless Steel

**Plating**

Contact: Gold Flash All Over  
Shell: 50µ" min. Nickel  
Middle plate: Clear

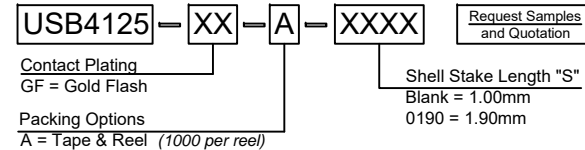
**Electrical**

Current Rating: 3.00A collectively for Vbus pins  
4.25A collectively for GND pins  
1.25A for B5 pin  
0.25A for A5 pin  
Voltage Rating: 20V DC  
Contact Resistance: 40mΩ max initial.  
50mΩ max after test  
Dielectric Withstanding Voltage: 100V AC  
Insulation Resistance 100MΩ min

**Mechanical & Environmental**

Operating Temperature: -30°C to +85°C  
Mating Force: 5 to 20 N  
Unmated Force: 6 to 20 N after test  
Durability: 20,000 cycles

**Ordering Grid**



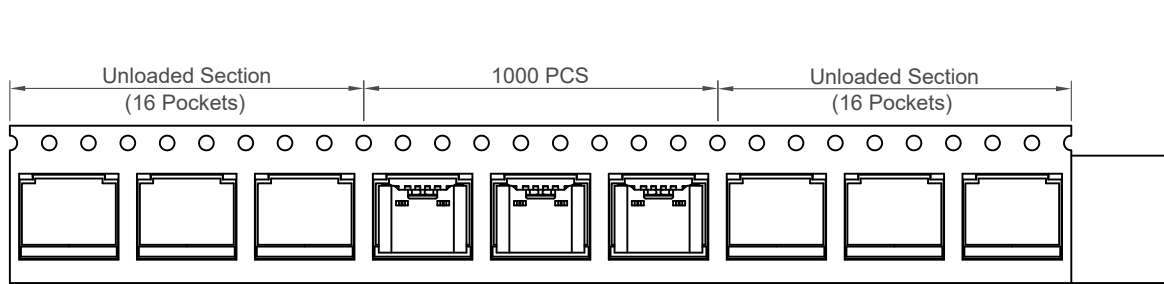
Part Number		Product Description	
USB4125		Type C Receptacle, Horizontal, SMT, For Power Charging Only	
Drawing Date		28th September 2020	
By	CC	Tolerances (Except as Noted)	Units:
Detail	Drawing Release	Length X.X ± 0.30	Metric (mm)
Revision	A3	Angle X.XX ± 0.25	3rd Angle Projection
Date	22/11/22	X.XXX ± 0.10	



This drawing is confidential and copyright of Global Connector Technology, Ltd (GCT). This drawing must not be copied or disclosed without written consent. E & OE

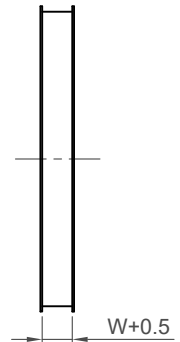
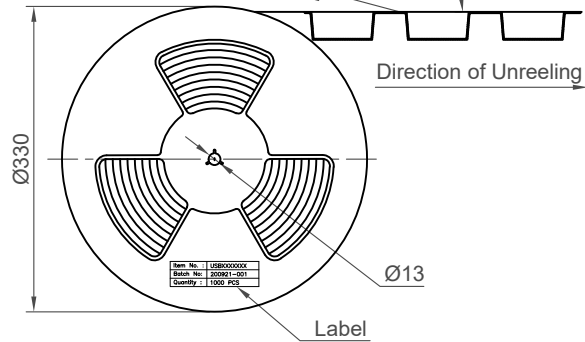


Not to Scale	Drawn By CC	Sheet No. 1/2
--------------	----------------	------------------

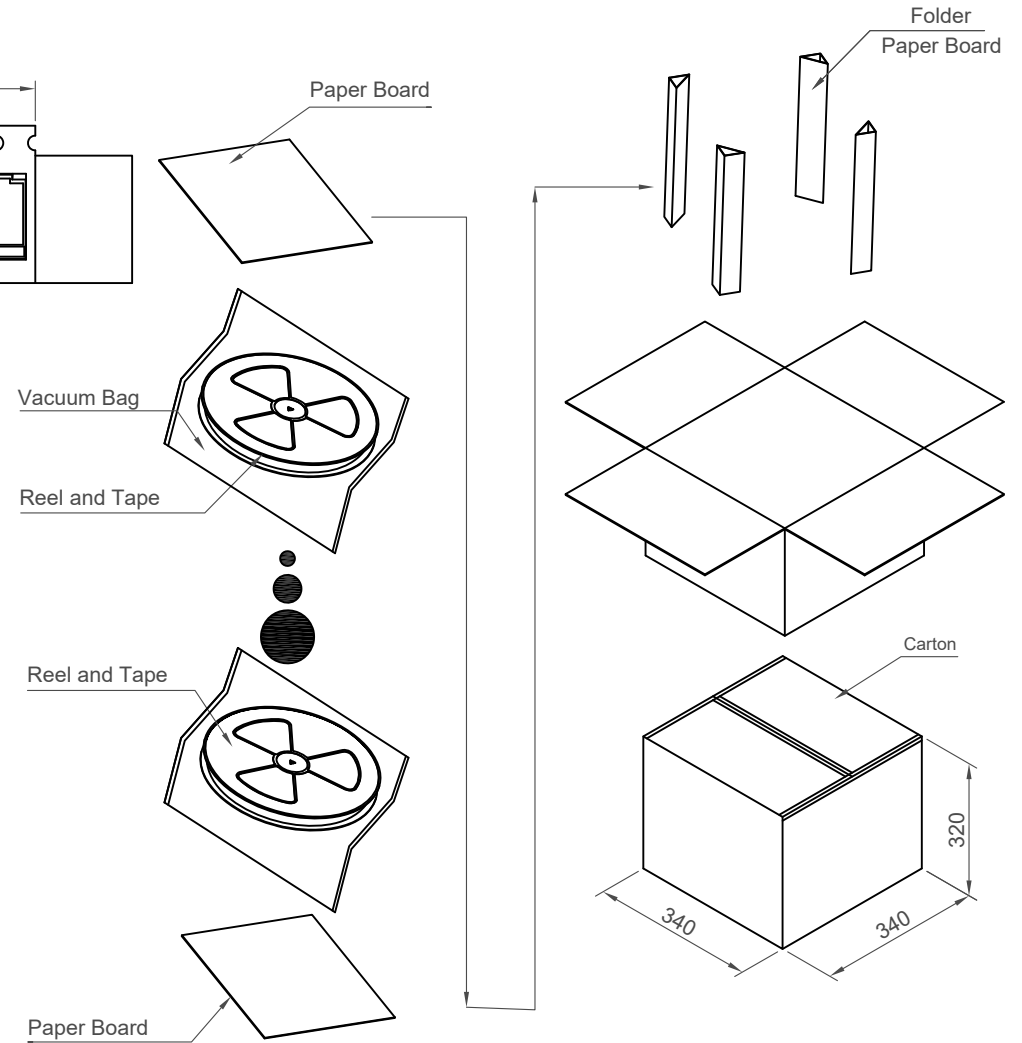
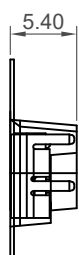
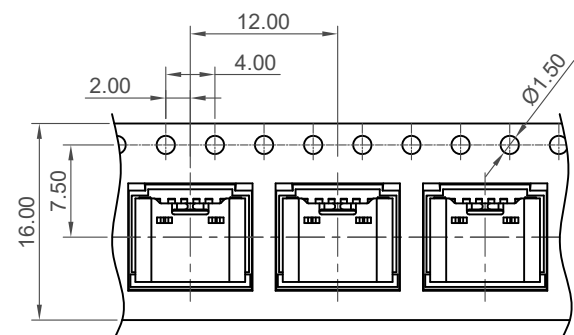


Direction of Unreeling

Peeling Angle 165°~180°



Direction of Unreeling



Pcs / Reel	Reels / Carton	Total Quantity
1000	13	13,000 pcs

Part Number		Product Description	
USB4125		Type C Receptacle, Horizontal, SMT, For Power Charging Only	
Drawing Date		28th September 2020	
By	CC	Tolerances (Except as Noted)	Units:
Detail	Drawing Release	Length	Metric (mm)
Revision	A3	Angle	
Date	22/11/22		



This drawing is confidential and copyright of Global Connector Technology, Ltd (GCT). This drawing must not be copied or disclosed without written consent. E & OE



Not to Scale	Drawn By CC	Sheet No. 2/2
--------------	-------------	---------------

H  
G  
F  
E  
D  
C  
B  
A

1 2 3 4 5 6 7 8