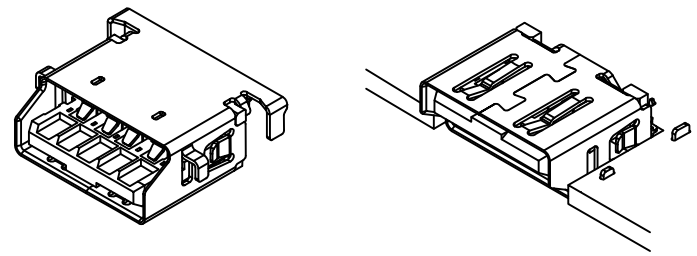
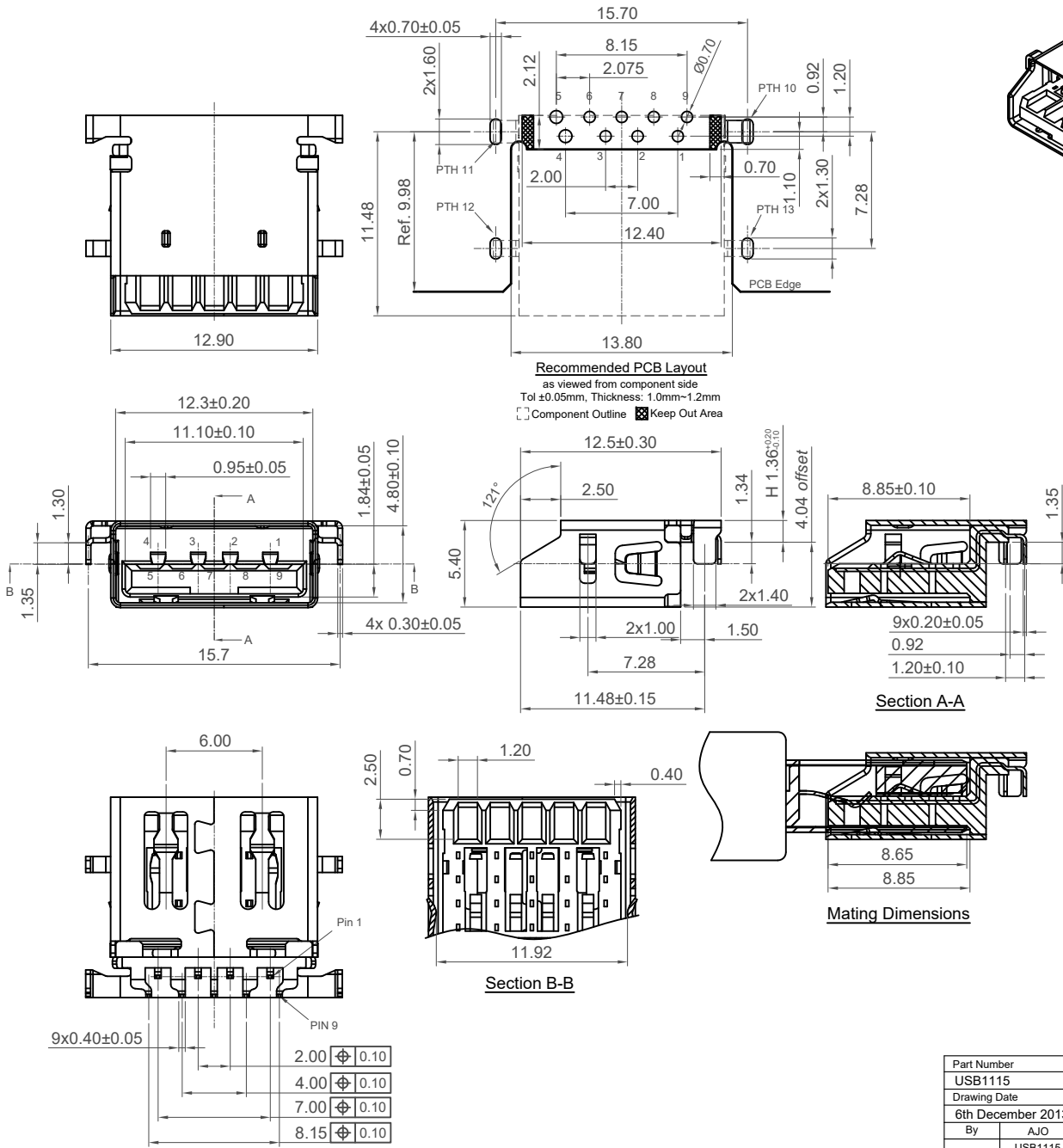


H
G
F
E
D
C
B
A



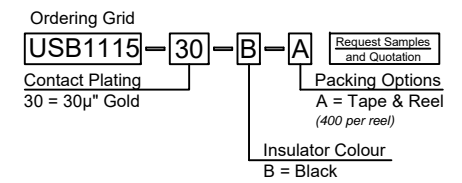
Specifications 规格

Material 物料
 Plastic Housing 塑胶外壳: LCP, UL94V-0
 Contact Terminal 接触端子: Copper Alloy
 Metallic Shell 金属外壳: SUS201

Plating 电镀
 Underplating 底层电镀: 50µ" min. Nickel
 Contact Area 接触面积: Gold (See ordering grid)
 Solder Tails 焊接末端: 80µ" min. Matte Tin
 Metallic Shell 金属外壳: 50µ" min. Nickel

Electrical 电气
 Voltage Rating 电压额定值: 100 V AC/DC
 Current Rating 电流额定值: 0.25A (Signal Pins 2,3,5,6,7,8,9)
 1.8A (Power Pins 1,4)
 Operating Temperature 工作温度: -55°C to +85°C
 Contact Resistance 接触电阻值: 30 mΩ max.
 Insulation Resistance 绝缘电阻值: 1000 MΩ min.
 Dielectric Withstand Voltage 耐电压: 100V AC

Mechanical & Environmental 机械 & 环境
 Mating Force 插入力: 35N max.
 Unmating Force 拨出力: 10N min. initial, 8N min. after test
 Durability 耐久性: 5,000 Cycles



Part Number		Product Description	
USB1115		USB 3.0 Rec., Type A, Slim Type w/Cutaway Face, T-H, Horizontal, Mid-Bottom Mount, 9 Pin, w/Outer Shell Stakes	
Drawing Date		6th December 2013	
By	AJO	Tolerances (Except as Noted)	Units:
Detail	USB1115 B PCN	Length X ± 0.50 X.X ± 0.38 X.XX ± 0.20 X.XXX ± 0.10	Metric (mm)
Revision	B	Angle ± 2°	3rd Angle Projection
Date	12/08/15		

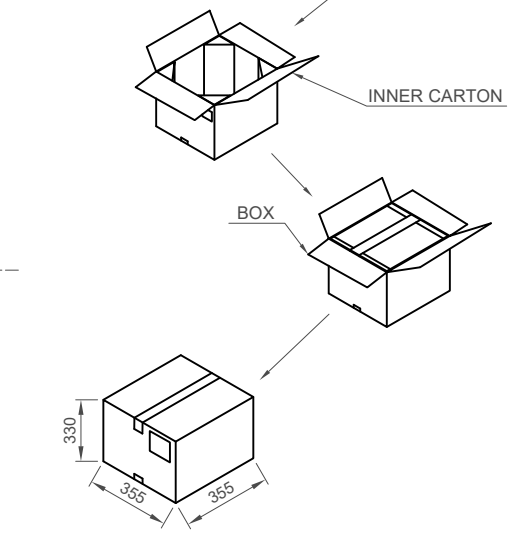
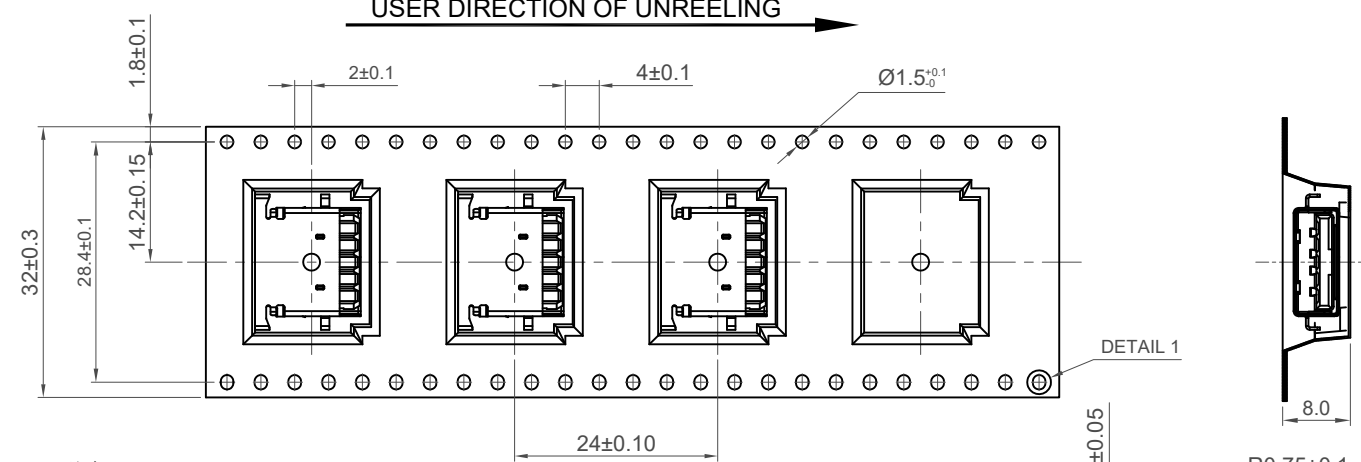
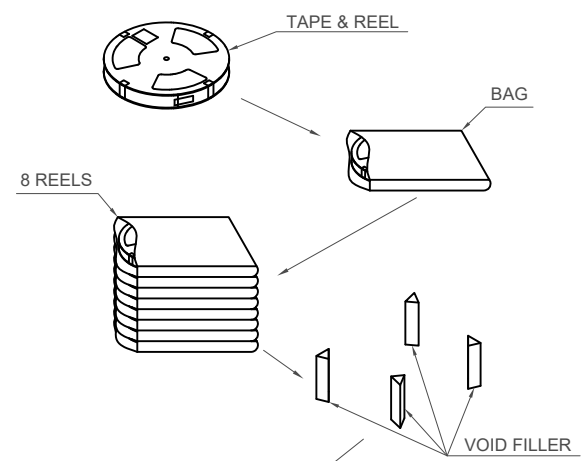
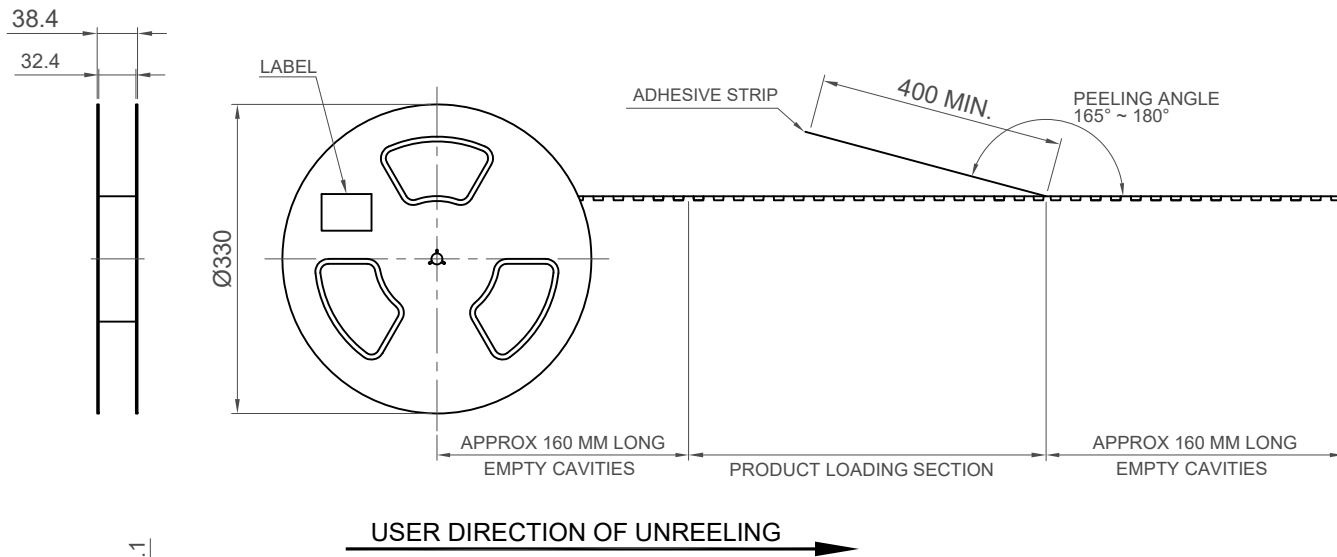


This drawing is confidential and copyright of Global Connector Technology, Ltd (GCT). This drawing must not be copied or disclosed without written consent. E & OE



Not to Scale	Drawn By AJO	Sheet No. 1/2
--------------	--------------	---------------

H
G
F
E
D
C
B
A



Notes 注意:

Material 材质要求:

- Box 箱: Corrugated Fibreboard 瓦楞纸板 Double Wall 双壁,
- Tape 带子: Polystyrene 聚苯乙烯, Black 黑色
- Heat Resistant Temperature 耐热温度: 120°C
- Reel 卷筒: Polystyrene 聚苯乙烯, Blue 蓝色
- Heat Resistant Temperature 耐热温度: 70°C
- Bag 包: Polyethylene 聚乙烯 Heat Resistant Temperature 耐热温度: 100°C

Packing Spec 包装要求:

1. Peeling strength 剥离强度: 0.1N~1.3N (10~130grams)
2. Peeling Speed 剥离速度: 300 mm/min
3. Each bag will include desiccant. 每个包将包括干燥剂

Products P/N	PCS/Reel	Reels/Carton	PCS/Carton
USB1115	400	8	3200

Part Number		Product Description	
USB1115		USB 3.0 Rec., Type A, Slim Type w/Cutaway Face, T-H, Horizontal, Mid-Bottom Mount, 9 Pin, w/Outer Shell Stakes	
Drawing Date		6th December 2013	
By	AJO	Tolerances (Except as Noted)	Units: Metric (mm)
Detail	USB1115 B PCN	Length	Angle
Revision	B		
Date	12/08/15		



This drawing is confidential and copyright of Global Connector Technology, Ltd (GCT). This drawing must not be copied or disclosed without written consent. E & OE



Not to Scale Drawn By AJO Sheet No. 2/2