

Specification 规格:

Electrical 电气规格:

Voltage Rating 电压额定值: 125 V AC (RMS)
Current Rating 电流额定值: 1.5 Amp
Contact Resistance 接触电阻值: 35mΩ Max.
Insulation Resistance 绝缘电阻值: 1000MΩ Min. @ 500 VDC
Dielectric Strength 电介质强度: 1000 VAC RMS 60Hz, 1 Min.

Material 物料规格:

Housing Material 塑胶外壳: High Temp Nylon UL94V-0, Black
Contact Material 端子材料: Phosphor Bronze 0.35mm Thickness
Plating 电镀规格: Gold Plating over Nickel
Operating Life 使用寿命: 750 Cycles Min.
PCB Retention Force After Solder 焊接后保持力: 10 LBS Min.

Environmental 环境的:

Storage Temperature 储存温度: -40°C to +85°C
Operation Temperature 使用温度: -40°C to +85°C

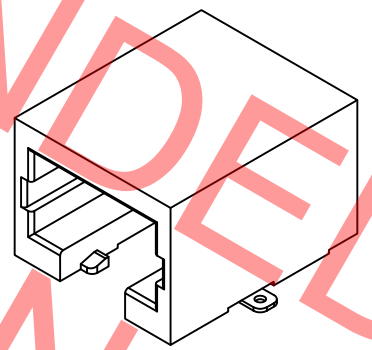
**RECOMMENDED PCB LAYOUT
AS VIEWED FROM COMPONENT SIDE**

Ordering Grid

MJ3410 — **88** — **X** Request Samples and Quotation

No. of Positions/
88 = 8/8

Contact Plating
2 = 6μ" Gold (Standard)
4 = 30μ" Gold



| | | | |
|-------------------|--------------|--|--------------------|
| Part Number | | Product Description | |
| MJ3410 8 Position | | Modular Jack Connector, 8 Position, Category 3, Right Angle SMT, With Outside Solder Tab, Standard Latch | |
| Drawing Date | | 12th May 2010 | |
| By | AJO | Tolerances (Except as Noted) | Units: Metric (mm) |
| Detail | MJ3410 C PCN | Length | ± 0.15 |
| Revision | B | Angle | ± 5° |
| Date | 15/06/12 | | |

RoHS COMPLIANT
 2011/65/EU
 Deca-SpE

This drawing is confidential and copyright of Global Connector Technology, Ltd (GCT). This drawing must not be copied or disclosed without written consent. E & OE

www.gct.co

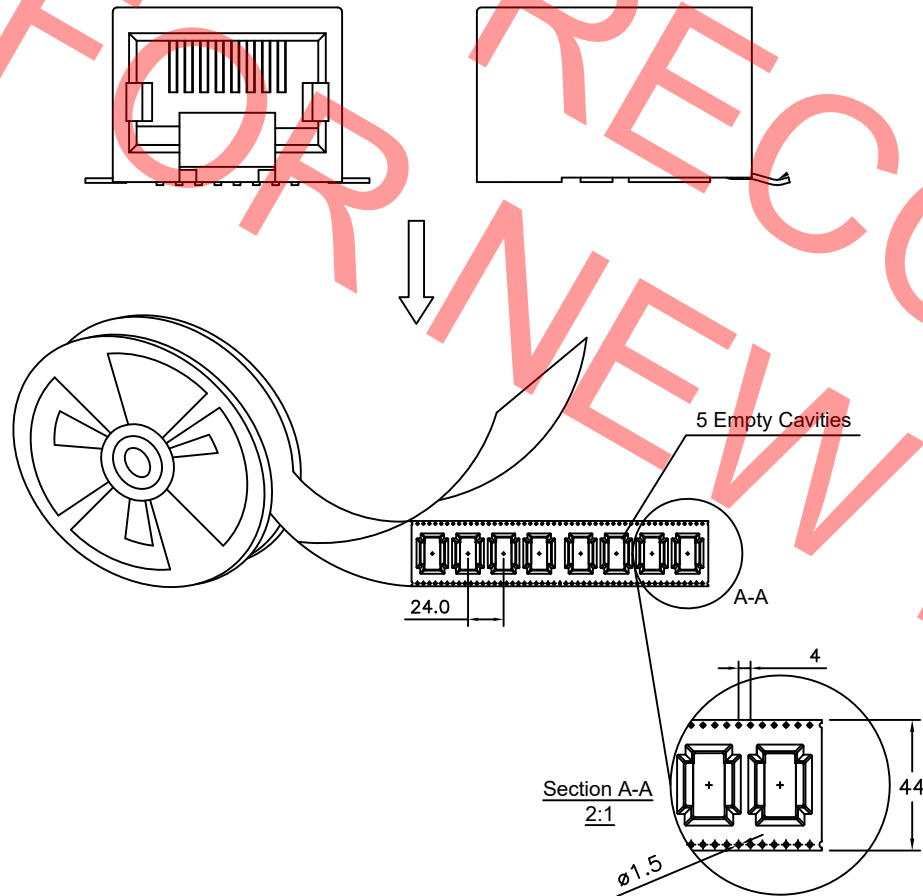
| | | |
|--------------|--------------|---------------|
| Not to Scale | Drawn By PKN | Sheet No. 1/2 |
|--------------|--------------|---------------|

1. Packing Material 包材 - Tape Reel

Quantity 數量 - 1*150=150 PCS

Tape Reel 卷帶 - Width 44 * 0.5mm * Pitch 24mm = Total Length 4.12m

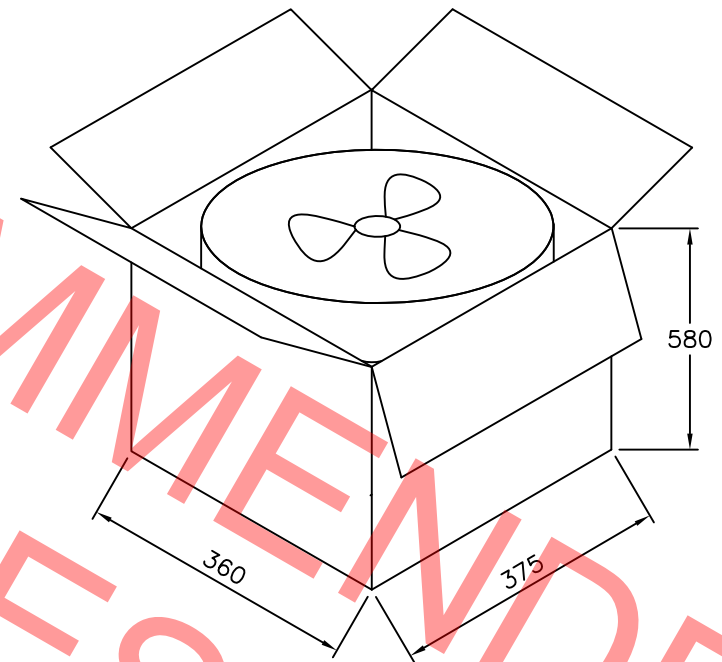
Reel 卷盤 - ø330mm




2. Packing Material 包材 - Carton 1 PC

Quantity 數量 - 150*10=1500 PCS

| Part Number 零部件料号 | Net Weight 淨重 | Gross Weight 毛重 | Q'TY 數量 |
|----------------------|------------------|--------------------|------------|
| MJ3410-88-X | 10.50Kg | 11.16Kg | 1500 |



| | | | | |
|-------------------------------|--------------|--|-----------------------|---|
| Part Number | | Product Description | |  www.gct.co |
| MJ3410 8 Position | | Modular Jack Connector, 8 Position, Category 3, Right Angle SMT, With Outside Solder Tab, Standard Latch | | |
| Drawing Date 12th May 2010 | | | | |
| By | AJO | Tolerances (Except as Noted) | Units: Metric (mm) | This drawing is confidential and copyright of Global Connector Technology, Ltd (GCT). This drawing must not be copied or disclosed without written consent. E & OE |
| Detail | MJ3410 C PCN | | | |
| Revision | B | X.X ± 0.20 | ± 5° | |
| Date | 15/06/12 | X.XX ± 0.15 | | Not to Scale Drawn By PKN Sheet No. 2/2 |