

RECOMMENDED PCB LAYOUT
AS VIEWED FROM COMPONENT SIDE

Specification 规格:

Electrical 电气规格:

- Voltage Rating 电压额定值: 125 V AC (RMS)
- Current Rating 电流额定值: 1.5 Amp
- Contact Resistance 接触电阻值: 30mΩ Max.
- Insulation Resistance 绝缘电阻值: 1000MΩ Min. @ 500 VDC
- Dielectric Strength 电介质强度: 1000 VAC RMS 60Hz, 1 Min.

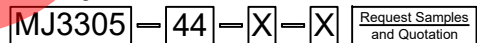
Material 物料规格:

- Housing Material 塑胶外壳: High Temp Nylon UL94V-0, Black
- Contact Material 端子材料: Phosphor Bronze 0.35mm Thickness
- Plating 电镀规格: Gold Plating over Nickel
- Operating Life 使用寿命: 750 Cycles Min.
- PCB Retention Force After Solder 焊接后保持力: 10 LBS Min.

Environmental 环境的:

- Storage Temperature 储存温度: -40°C to +85°C
- Operation Temperature 使用温度: -40°C to +85°C
- IR Reflow Soldering Temperature 回流焊接温度: 255°C to 265°C, 5-10 seconds

Ordering Grid



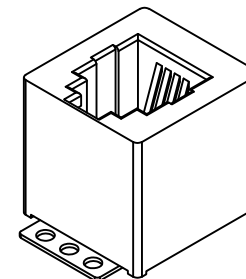
No. of Positions/
Positions Loaded
44 = 4/4

Request Samples
and Quotation

Mylar Film - for pick and place

A = Without Film
B = With Film (Standard)

Contact Plating
2 = 6μ" Gold (Standard)
4 = 30μ" Gold

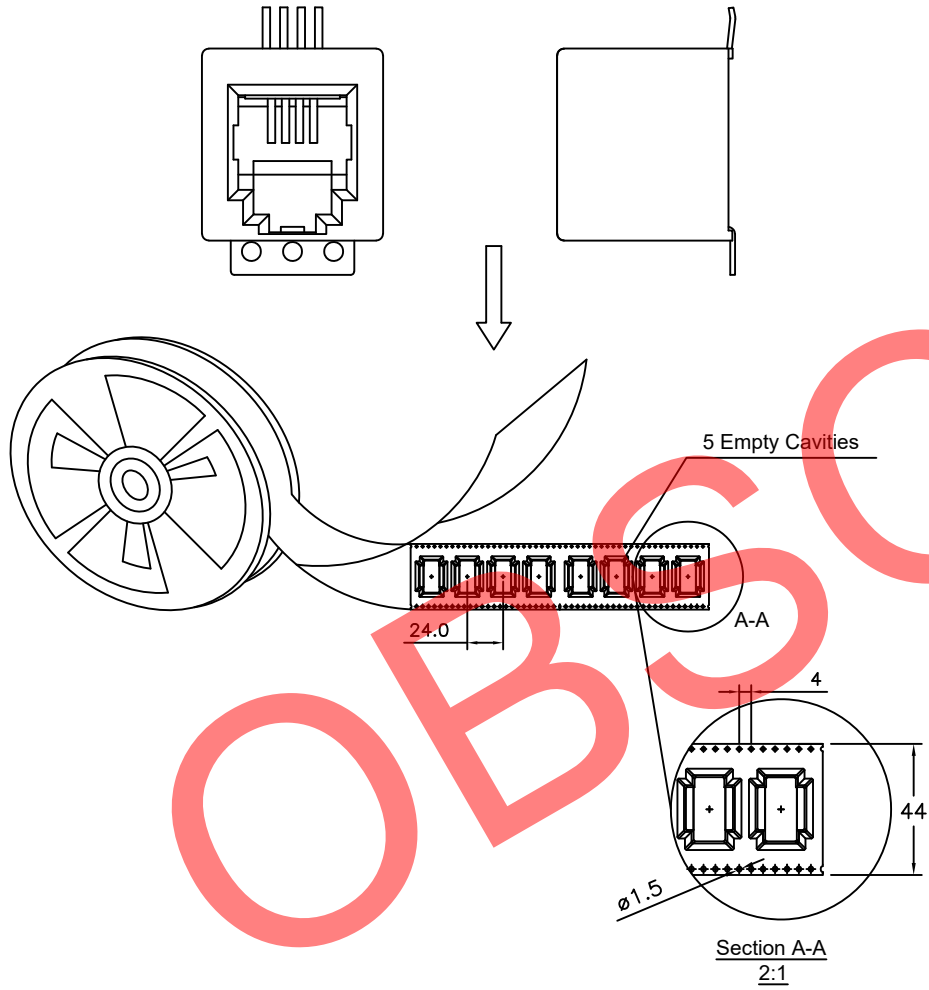


Part Number		Product Description			This drawing is confidential and copyright of Global Connector Technology, Ltd (GCT). This drawing must not be copied or disclosed without written consent. E & OE
MJ3305 - 4 Position		Modular Jack Connector, 4 Position, Category 3, Vertical SMT, Low Profile, With Solder Tab, Without PCB Peg			
Drawing Date		11th May 2010			
By	CC	Tolerances (Except as Noted)		Units:	
Detail	Obsolete	Length	Angle	Metric (mm)	
Revision	X	X.X ± 0.20	± 5°		
Date	15/08/22	X.XX ± 0.15	X.XXX ± 0.10		
				www.gct.co	
				Not to Scale Drawn By PKN Sheet No. 1/2	

1. Packing Material 包材 - Tape Reel

Quantity 數量 - 1*150=150 PCS

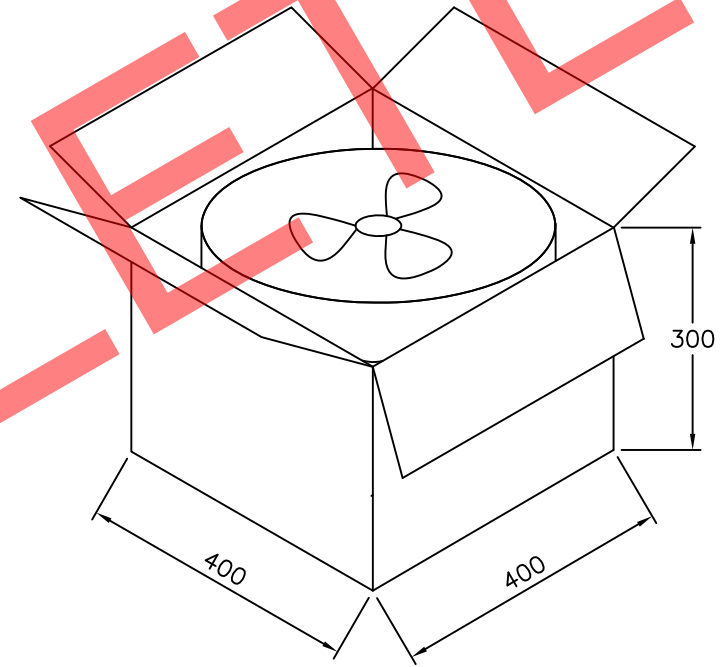
Tape Reel 卷帶 - Width 44 * Depth 13.6 * Pitch 24 = Total Length 4.1m
 Reel 卷盤 - ø380mm



2. Packing Material 包材 - Carton 1 PC

Quantity 數量 - 150*6=900 PCS

Part Number 零部件料号	Net Weight 淨重	Gross Weight 毛重	Q'TY 數量
MJ3305-44-X-X	4.50Kg	6.00Kg	900



Part Number MJ3305 - 4 Position		Product Description Modular Jack Connector, 4 Position, Category 3, Vertical SMT, Low Profile, With Solder Tab, Without PCB Peg		 www.gct.co
Drawing Date 11th May 2010				
By CC	Tolerances (Except as Noted)	Units: Metric (mm)	This drawing is confidential and copyright of Global Connector Technology, Ltd (GCT). This drawing must not be copied or disclosed without written consent. E & OE	
Detail Obsolete	Length X.X ± 0.20 X.XX ± 0.15 X.XXX ± 0.10	Angle ± 5°		
Revision X	3rd Angle Projection			
Date 15/08/22				
				Not to Scale Drawn By PKN Sheet No. 2/2