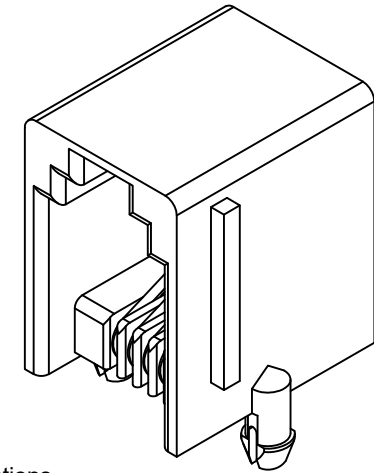
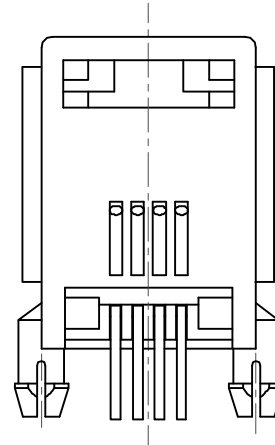


Section: A-A



Specifications

Material

Insulator: PBT,UL 94V-0, Black

Contact: Phosphor Bronze,Ø=0.46mm

Plating

See Ordering Grid

Electrical

Current Rating : 1.5 Amp

Current Voltage : 150V AC RMS

Contact Resistance : 20 mΩ max.

Insulation Resistance: 1000 MΩ min.@500V DC

Dielectric Withstand Voltage :

1000V AC/DC Peak Between Terminal to Terminal

Mechanical & Environmental

Storage Temperature : -40°C to +85°C,

Relative Humidity <80%

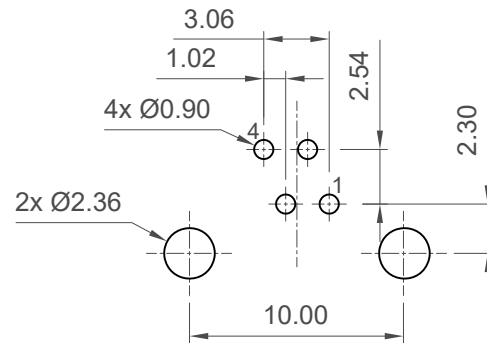
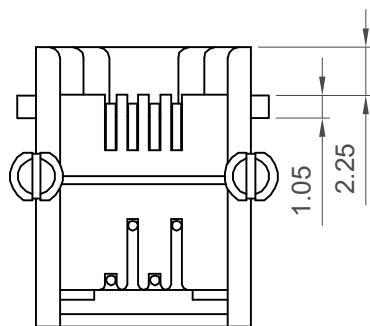
Operation Temperature : -40°C to +85°C

Operating Life : 750 Cycles Min.

Mating/Unmating Force: 30N Max.

Retention Strength: 50N for 60s±5s

Wave Soldering Temperature:245°C ± 5°C, 5s



Recommended PCB Layout

Tolerance : ±0.05mm

Thickness: 1.60mm

Ordering Grid

MJ3250 = 44 = 0 Request Samples and Quotation

No. of Positions/
Positions Loaded
44 = 4/4

Contact Plating
0 = Gold Flash

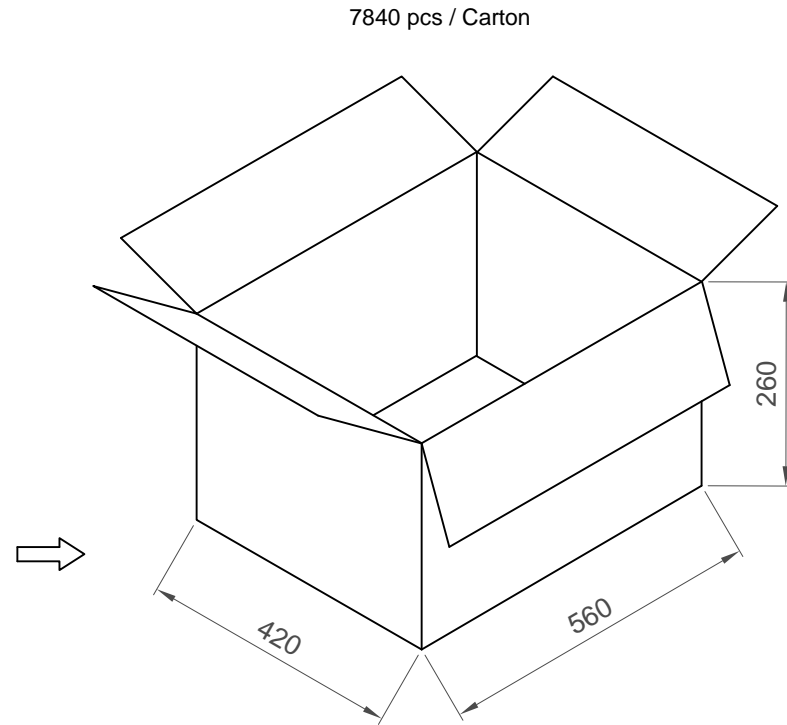
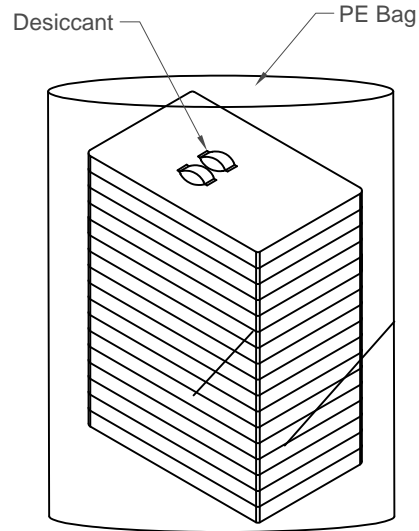
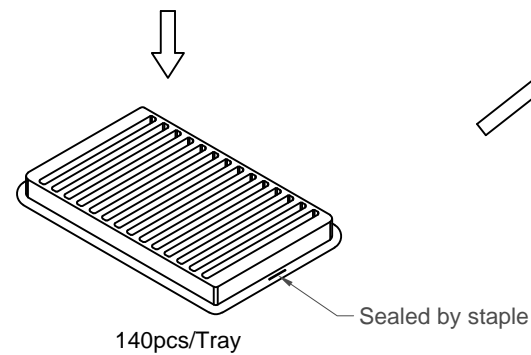
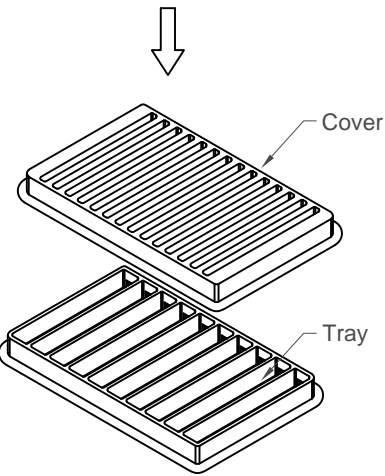
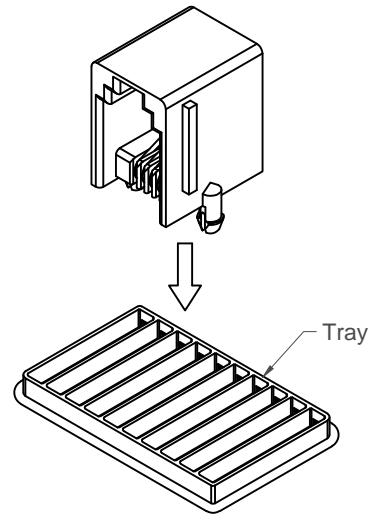
Part Number		Product Description	
MJ3250-44		Modular Jack Connector, 4 Position, Right Angle, Through Hole, Inverted Latch	
Drawing Date		9th April 2021	
By	CC	Tolerances (Except as Noted)	Units:
Detail	Drawing Release	Length X.X ± 0.20 X.XX ± 0.15 X.XXX ± 0.10	Metric (mm)
Revision	A	Angle ± 1°	
Date	09/04/21		






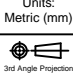
This drawing is confidential and copyright of Global Connector Technology, Ltd (GCT). This drawing must not be copied or disclosed without written consent. E & OE



Not to Scale	Drawn By CC	Sheet No. 1/2
--------------	----------------	------------------



Pcs/Tray	Trays/Carton	Total Quantity
140	56	7840 pcs

Part Number		Product Description		 www.gct.co
MJ3250-44		Modular Jack Connector, 4 Position, Right Angle, Through Hole, Inverted Latch		
Drawing Date		9th April 2021		
By	CC	Tolerances (Except as Noted)	Units:	  This drawing is confidential and copyright of Global Connector Technology, Ltd (GCT). This drawing must not be copied or disclosed without written consent. E & OE
Detail	Drawing Release	Length	Angle	
Revision	A	X.X ± 0.20	± 1°	
Date	09/04/21	X.XX ± 0.15	X.XXX ± 0.10	
		 Metric (mm)		Not to Scale Drawn By CC Sheet No. 2/2