

Specification:

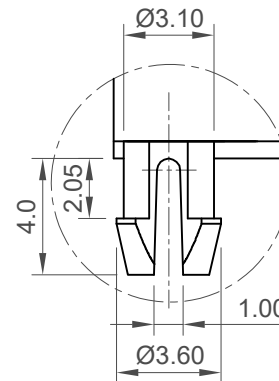
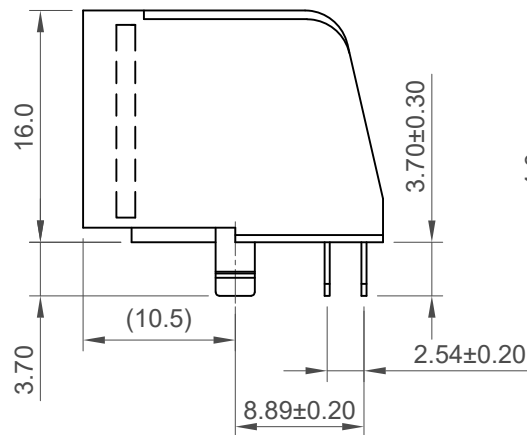
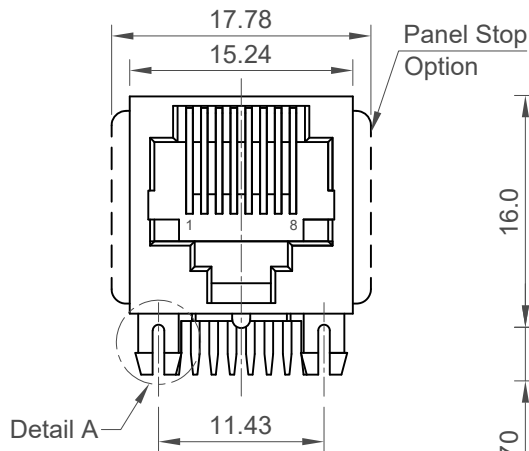
Material:

Housing: Thermoplastic, UL94 V-0, Black
 Contact: Phosphor Bronze 0.35mm Thickness

Electrical:

Voltage Rating: 125 V AC (RMS)
 Current Rating: 1.5 Amp
 Contact Resistance: 50 mΩ max.
 Insulation Resistance: 1000 MΩ min. @ 500 VDC
 Dielectric Strength: 1000 VAC RMS 60Hz, 60 sec

Recommended PCB Layout
 Tolerance : ±0.05mm



Detail A
 Scale 2:1

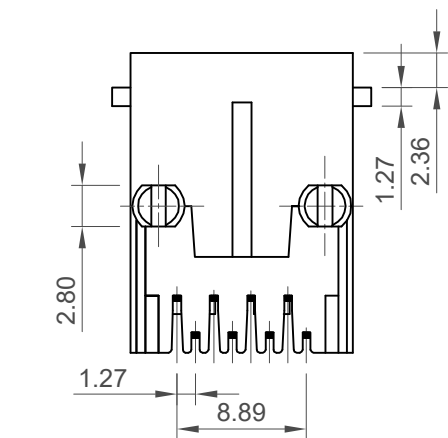
Plating :

Contact Area: See Ordering Grid
 Tails: Plated Tin Over Nickel

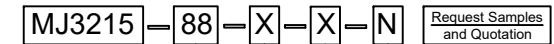
Mechanical & Environmental

Operating Life: 750 Cycles Min.
 PCB Retention Force Before Solder: 1 lb min.
 PCB Retention Force After Solder: 10 lbs min.
 Storage Temperature: -40°C to +85°C
 Operation Temperature: -40°C to +85°C

Wave Soldering Temperature: 245°C ± 5°C, 5s



Ordering Grid



No. of Positions/Loaded
 88 = 8/8

Panel Stop
 1 = With (standard)
 0 = Without

Insulator Material
 N = Thermoplastic

Contact Plating
 2 = 6µ" Gold (Standard)
 4 = 30µ" Gold

Part Number		Product Description			
MJ3215-88		Modular Jack Connector - 8 Position Category 3			
Drawing Date		Right Angle Through Hole, Standard Profile & Latch			
11th May 2010					
By	CC	Tolerances (Except as Noted)		Units:	 This drawing is confidential and copyright of Global Connector Technology, Ltd (GCT). This drawing must not be copied or disclosed without written consent. E & OE
Detail	MJ3215-88 D PCN	Length	Angle	Metric (mm)	
Revision	D2	X.X ± 0.20		± 5°	
Date	10/10/23	X.XX ± 0.15			
		X.XXX ± 0.10			

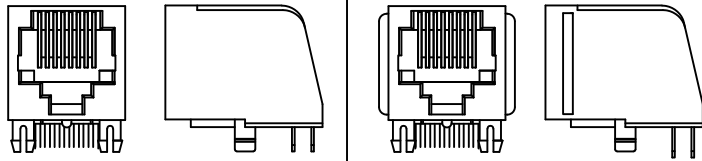


1. Packing Material: Tray 1 PC

Quantity: 1x70=70 PCS

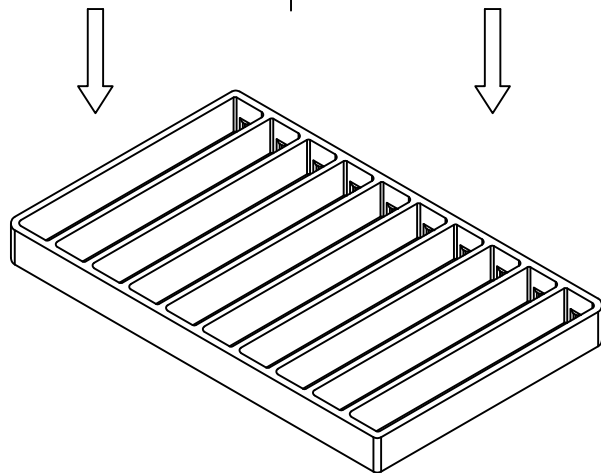
Tray: Body and Cover - 1PC Each

Label : 1 PC



Without Panel Stop

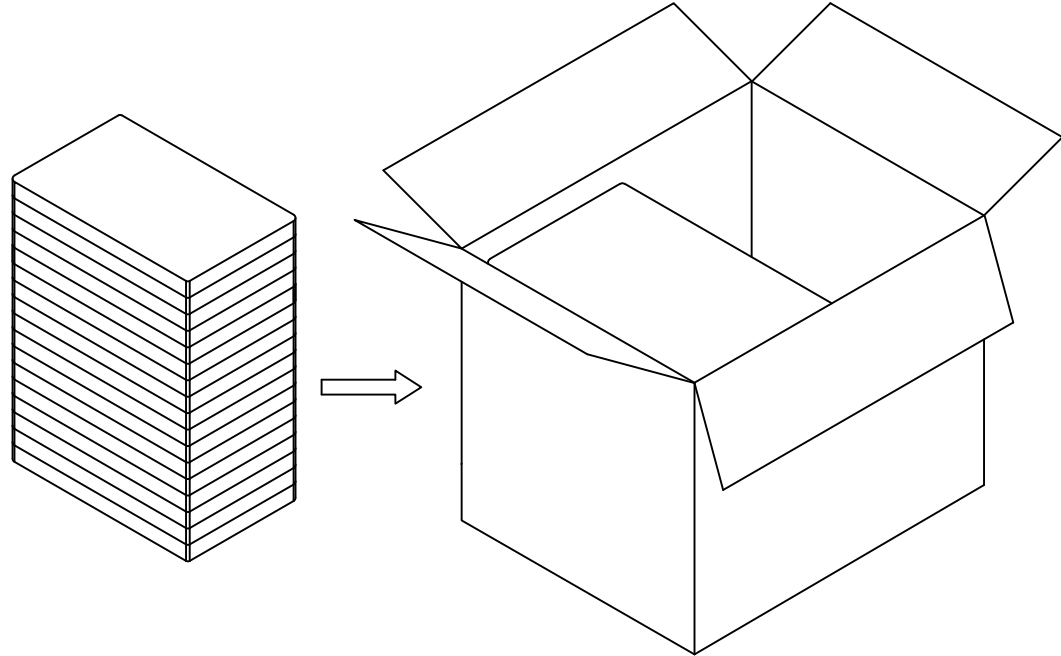
With Panel Stop







2. Packing Material: Carton - 460*310*310 - 1 PC

Quantity: 70x35=2450PCS

Pcs/Tray	Trays/Carton	Total Quantity
70	35	2450 pcs



Part Number		Product Description		 www.gct.co
MJ3215-88		Modular Jack Connector - 8 Position Category 3		
Drawing Date		Right Angle Through Hole, Standard Profile & Latch		
11th May 2010				
By	CC	Tolerances (Except as Noted)	Units:	  This drawing is confidential and copyright of Global Connector Technology, Ltd (GCT). This drawing must not be copied or disclosed without written consent. E & OE
Detail	MJ3215-88 D PCN	Length	Metric (mm)	
Revision	D2	Angle	 3rd Angle Projection	
Date	10/10/23			
				Not to Scale Drawn By PKN Sheet No. 2/2