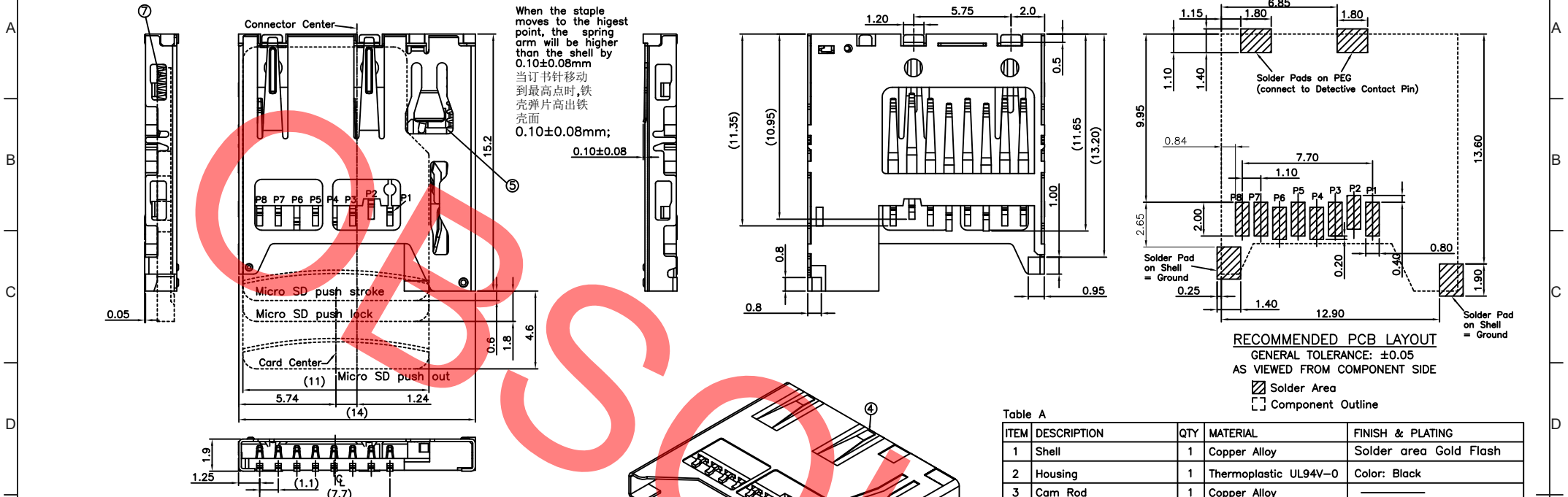


Global Connector Technology Ltd. - MEM2060: Micro SD Memory Card Connector, Push-Push, SMT, Card Entry Normal, 1.90mm Profile



**RECOMMENDED PCB LAYOUT**  
GENERAL TOLERANCE: ±0.05  
AS VIEWED FROM COMPONENT SIDE  
Solder Area  
Component Outline

Table A

ITEM	DESCRIPTION	QTY	MATERIAL	FINISH & PLATING
1	Shell	1	Copper Alloy	Solder area Gold Flash
2	Housing	1	Thermoplastic UL94V-0	Color: Black
3	Cam Rod	1	Copper Alloy	
4	Detective Contact PIN	1	Copper Alloy	Gold
5	Slider	1	Thermoplastic UL94V-0	Color: Black
6	Retention Contact	1	Copper Alloy	
7	Spring	1	SWP Ø0.20	Nickel
8	Data Contact	8	Copper Alloy	15µ" Gold

SPECIFICATION 规格:

MATERIAL 物料规格:

PLASTIC HOUSING 塑胶外壳:  
BASE 底座: HIGH-TEMP. THERMOPLASTIC UL94V-0 RATED 高温塑胶  
GUIDE 导块: HIGH-TEMP. THERMOPLASTIC UL94V-0 高温塑胶  
CONTACT TERMINAL 接触端子: BRASS 黄铜  
METALLIC SHELL 金属外壳: COPPER ALLOY

PLATING 电镀规格:

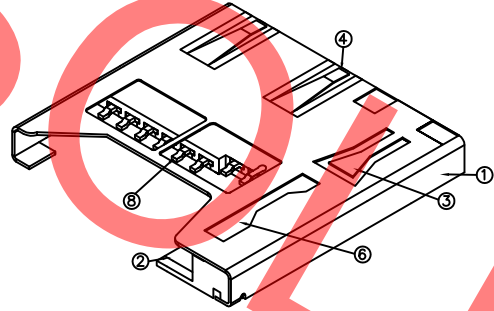
CONTACT TERMINAL PLATING 接触端子部分电镀:  
UNDER-PLATING 底层电镀: 60µ" NICKEL OVER ALL 全部镀镍60µ"  
CONTACT AREA 接触部分: 15µ" GOLD 镀金15µ"  
SOLDERING AREA 焊接部分: 100µ" MATTE TIN 镀雾锡 100µ"  
METALLIC SHELL PLATING 金属外壳电镀:  
UNDER-PLATING 底层电镀: 50µ" NICKEL OVER ALL 全部镀镍50µ"  
SOLDERING AREA 焊接部分: GOLD FLASH 镀闪金  
SOLDER TAIL CO-PLANARITY 焊接末端同平面度: 0.12MM MAX.

ELECTRICAL 电气规格:

VOLTAGE RATING 电压额定值: 100 VAC (R.M.S.)  
CURRENT RATING 电流: 0.5 A MAX.  
OPERATING TEMPERATURE 工作温度: -25°C TO +85°C  
CONTACT RESISTANCE 接触电阻值: 100mΩ MAX.  
INSULATION RESISTANCE 绝缘电阻值: 500MΩ MIN. (APPLY 施加500VDC)  
DIELECTRIC WITHSTANDING VOLTAGE 耐电压: LEAKAGE CURRENT  
漏电流 < 1mA (APPLY 500VAC FOR 1 MIN; 施加 500VAC 共一分钟)

MECHANICAL 机械性规格:

DURABILITY 耐久性: 5000 CYCLES 5000 次插拔

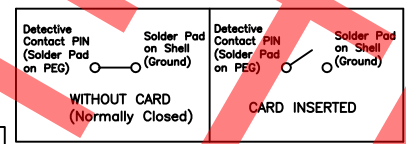


Ordering Grid  
MEM2060-01-190-00-A REQUEST SAMPLES AND QUOTATION

Packing Options  
A = Tape & Reel  
(Quantity per Reel: 1000 pcs)

Switch  
01 = Normally Closed  
00 = Without Locating Post

Card Detect Switch Circuit:



Pin	Name	Description
P1	DAT2	Data Bit 2
P2	CD/DAT3	Card Detect/Data Bit 3
P3	CMD	Command Line
P4	V <sub>DD</sub>	Supply Voltage 2.7v/3.6v
P5	CLK	Clock
P6	V <sub>SS</sub>	Ground
P7	DAT0	Data Bit 0
P8	DAT1	Data Bit 1

By	PKN	ASE	ADS	SA	ASE	AJO	AJO
DETAIL	DRAWING RELEASE	ECN080724A	ECN080808B	PIN 8 NAME UPDATE	INCORRECT FORCE DETAIL REMOVED	SHELL MATERIAL	OBSOLETE
REV DATE	A	B	C	D	E	E1	X
	03/04/08	24/07/08	08/08/08	15/10/10	03/10/11	08/07/15	04/02/16

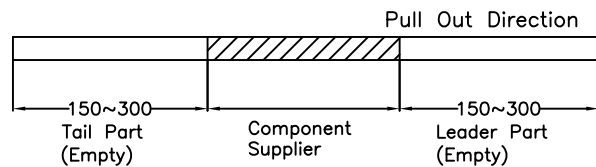
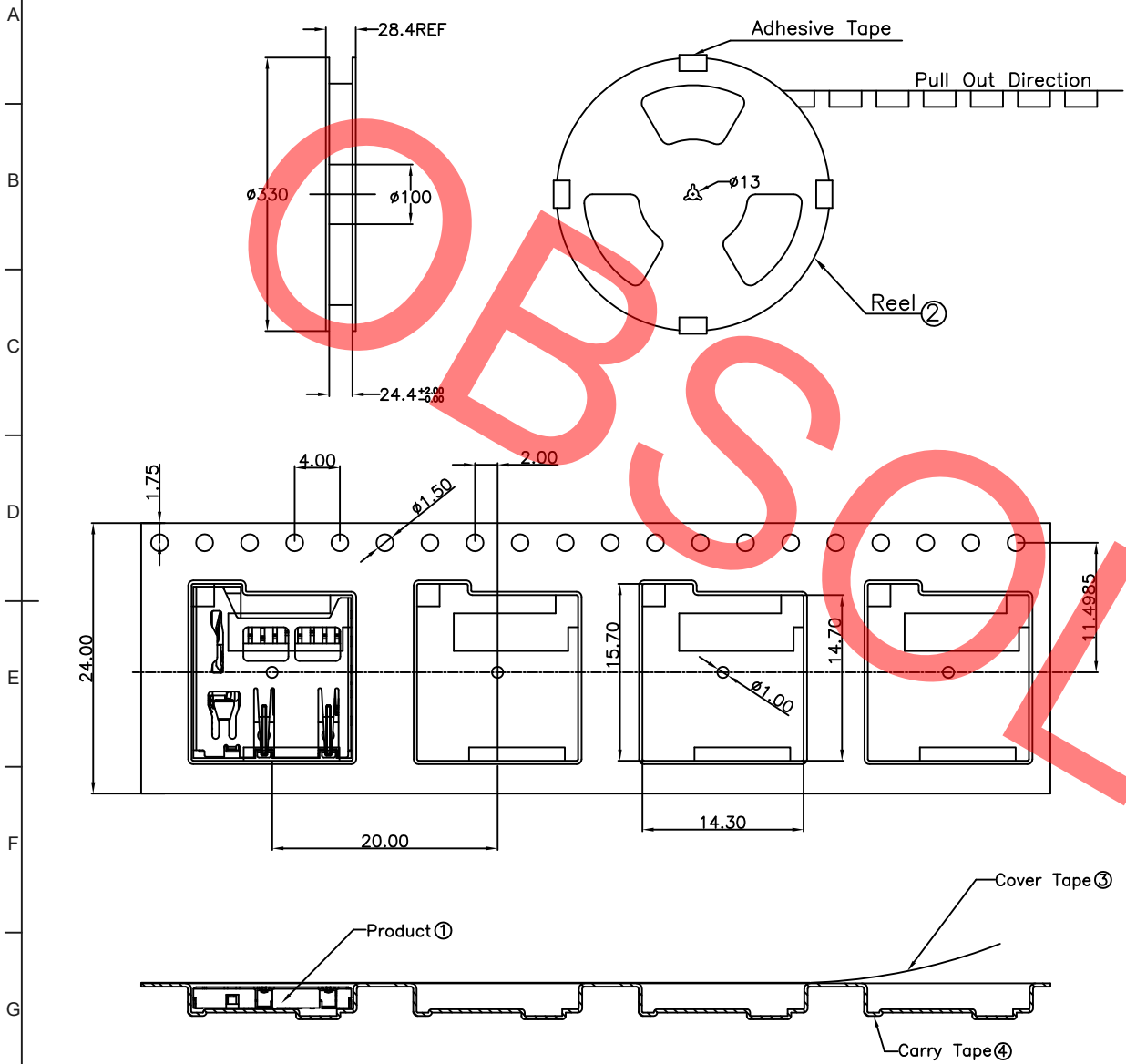


Tolerances (Except as noted)	Part Number:-	Date:-
Dimensions in mm X: ± 0.35 X.° ± 5.0° X.X ± 0.25 X.X° ± 3.0° X.XX ± 0.15 X.XX° ± 1.5°	MEM2060	03 APR 08
Description:-	MICRO SD MEMORY CARD CONNECTOR, PUSH-PUSH, SMT, CARD ENTRY NORMAL, 1.90mm PROFILE	
THIS DRAWING IS CONFIDENTIAL AND MUST NOT BE COPIED OR DISCLOSED WITHOUT WRITTEN CONSENT		

**GCT**  
www.gct.co

Scale	Revision	Material	Drawn by	Sheet No.
NTS	X	See Note	PKN	E & OE
				1/3

Global Connector Technology Ltd. - MEM2060: Micro SD Memory Card Connector, Push-Push, SMT, Card Entry Normal, 1.90mm Profile



- NOTE 注意:
- 150-300mm of the leading & tail of the CARRY TAPE will not be used  
前部份與尾部各留出150~300mm長度不裝產品
  - Each Cavity holds 1pc. of Product. Placement methods as shown in the diagram  
每穴放置1PC產品, 放置位置如圖所示
  - After the packing machine finished packing, stick adhesive tape on the end.  
At the four quadrants of the REEL, stick on the adhesive tape to avoid out-spreading of the REEL.  
On each REEL, stick 1pc. of label.  
包裝機包好後尾端貼上膠帶, 在REEL的四個等分點貼上膠帶, 以防止REEL張開, 每REEL貼1PC標籤
  - Packing Quantity: 1,000pcs/REEL, 5 REEL/Carton, 5,000pcs/Carton  
包裝數量: 1,000件/卷筒, 5 卷筒/紙箱, 5,000件/紙箱
  - Place 1pcs. of hard card-board, and 1pcs. of bubble-pad at the bottom of the Carton.  
Around the four sides, stuff with the triangular pad, then place those filled REEL into the carton, between each REEL there will be 1pc of bubble-pad as separator, accordingly place all 5 REELS into the carton,  
on the top place 1pc of bubble-pad & 1 hard card-board, lastly close the carton with adhesive tapes.  
先在紙箱底部墊上1PC硬紙板, 在墊上1PC氣泡墊, 四周墊上三角墊, 然後把裝好產品的REEL放置紙箱中, 每REEL之間隔1PC氣泡墊, 依次把5REEL產品放到紙箱中, 在上面墊上各1PC氣泡墊和硬紙板, 最後用膠帶封箱
  - The peel-off force between the COVER TAPE & CARRY TAPE is: 0.1N-0.7N (variation within 0.3N). Peel-off angle: 165-175 degree  
Speed of peel-off: 250mm-300mm/min  
COVER TAPE與CARRY TAPE剝離力: 0.1N-0.7N(跳動量在0.3N以內)剝離角度: 165-175度  
剝離速度: 250mm-300mm/分鐘

Packing Materials Per Carton 每紙箱包裝物料清單:

Item	Part Description	品名	Specification	規格	QTY	用量
①	Micro SD Push (ON)	常开	Push Push Type (Normal On)	常开	5000PCS	
②	REEL	卷筒	D=330mm, d=100mm, H=24.4mm		5PCS	
③	Cover Tape	封帶	W=21.3mm, T=0.05mm		20300mm	
④	Carry Tape	卷帶	W=24mm, P=20, T=0.3mm		20300mm	
⑤	Hard Cardboard	硬紙板	330mm*330mm*3mm		2PCS	
⑥	Bubble-Pad	氣泡墊	310mm*310mm*10mm		6PCS	
⑦	Label	標籤			6PCS	
⑧	Triangular Pad	三角墊	120mm*85mm*155mm(T=3mm)		4PCS	
⑨	Carton	紙箱	350mm*350mm*177mm		1PCS	

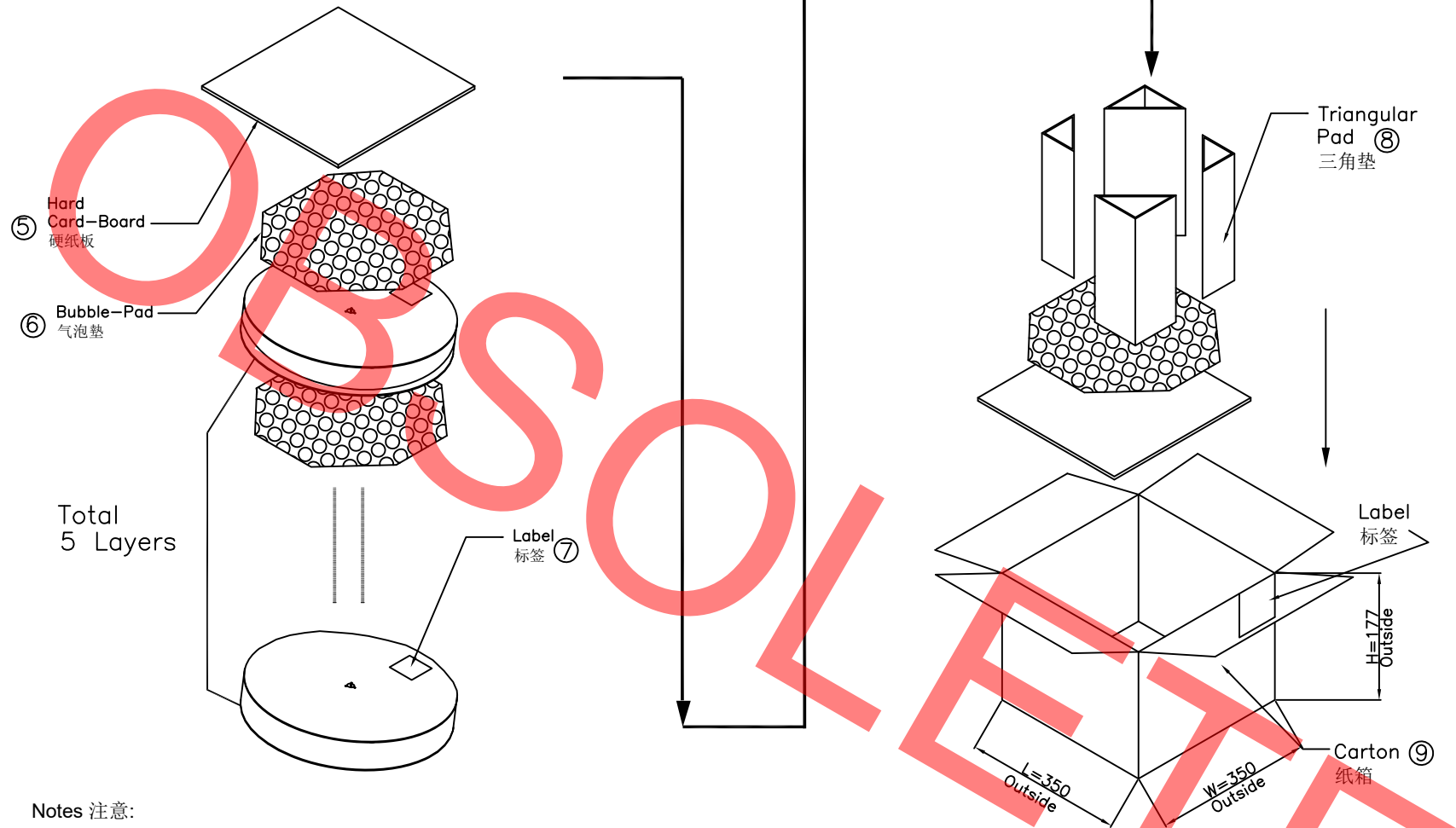
By	PKN	ASE	ADS	SA	ASE	AJO	AJO
DETAIL	DRAWING RELEASE	ECN080724A	ECN080808B	PIN 8 NAME UPDATE	INCORRECT FORCE DETAIL REMOVED	SHELL MATERIAL	OBSOLETE
REV DATE	A 03/04/08	B 24/07/08	C 08/08/08	D 15/10/10	E 03/10/11	E1 08/07/15	X 04/02/16



Tolerances (Except as noted)	Part Number:-	Date:-
Dimensions in mm	MEM2060	03 APR 08
	Description:-	
	MICRO SD MEMORY CARD CONNECTOR, PUSH-PUSH, SMT, CARD ENTRY NORMAL, 1.90mm PROFILE	
Third Angle Projection	© THIS DRAWING IS CONFIDENTIAL AND MUST NOT BE COPIED OR DISCLOSED WITHOUT WRITTEN CONSENT	

Scale		Revision	Material	Drawn by	Sheet No.
NTS		X	See Note	PKN	2/3





Notes 注意:

- 1.Primary Packing: 1K pcs/REEL 第一重包装:1000件 / 卷筒
- 2.Secondary Packing: 5 REEL / CARTON (5K PCS/CARTON) 第二重包装:5个卷筒 / 纸箱 (即5000件 / 纸箱)
- 3.Net Weight: 0.44g/pcs 每件净重:0.44g
- 4.Gross Weight: 0.88Kg/REEL, 5.4Kg/Carton 每卷筒毛重:0.88Kg, 每纸箱毛重:5.4Kg

By	PKN	ASE	ADS	SA	ASE	AJO	AJO
DETAIL	DRAWING RELEASE	ECN080724A	ECN080808B	PIN 8 NAME UPDATE	INCORRECT FORCE DETAIL REMOVED	SHELL MATERIAL	OBSOLETE
REV DATE	A 03/04/08	B 24/07/08	C 08/08/08	D 15/10/10	E 03/10/11	E1 08/07/15	X 04/02/16



Tolerances (Except as noted)	Part Number:- MEM2060	Date:- 03 APR 08
Dimensions in mm	Description:- MICRO SD MEMORY CARD CONNECTOR, PUSH-PUSH, SMT, CARD ENTRY NORMAL, 1.90mm PROFILE	
Third Angle Projection	© THIS DRAWING IS CONFIDENTIAL AND MUST NOT BE COPIED OR DISCLOSED WITHOUT WRITTEN CONSENT	

Scale NTS		Revision X		Material See Note	Drawn by PKN	E & OE	Sheet No. 3/3
		GCT					
www.gct.co							