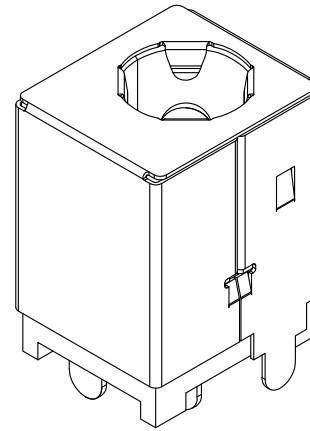


Recommended PCB Layout
(Tolerance: ±0.05mm)
[Hatched Area] Component Outline



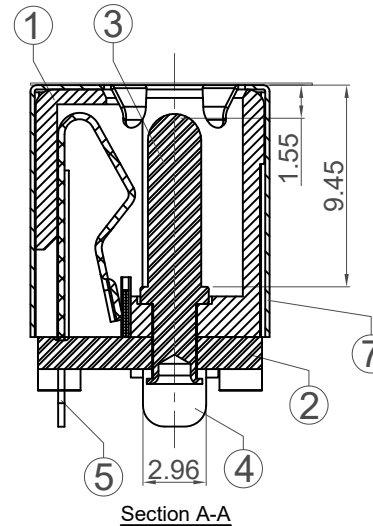
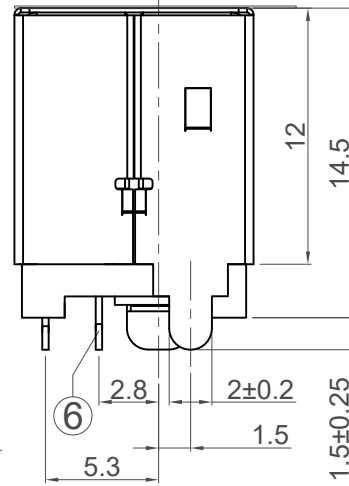
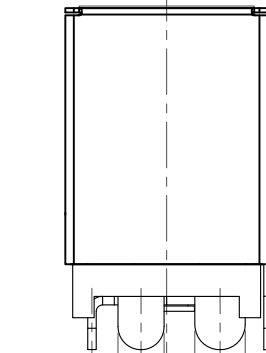
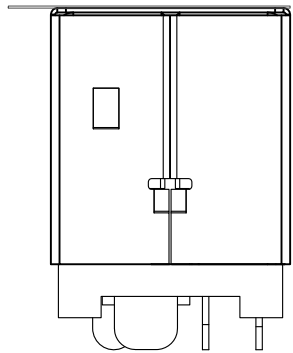
Specifications 规格

Electrical 电气规格

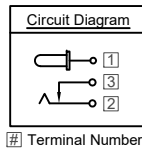
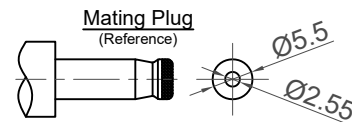
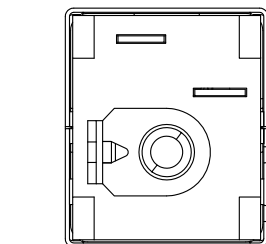
- Voltage Rating 电压额定值: 20 V DC
- Current Rating 电流额定值: 7 Amp
- Insulation Resistance 绝缘电阻值: 100 MΩ min.
- Dielectric Withstanding 耐电压: 500 V AC
- Contact Resistance 接触电阻值: 30 mΩ max.

Mechanical & Environmental 机械 & 环境

- Operating Temperature 工作温度: -20°C to +70°C
- Durability 耐久性: 5,000 cycles min.



No.	Description	Material	Q'ty
①	Housing	PA9T, UL94 V-0, Black	1
②	Cover	PA9T, UL94 V-0, Black	1
③	Centre Pin	① Brass, Nickel plating	1
④	Centre Pin Terminal	① Brass, T=0.4mm, Silver plating	1
⑤	Tip Spring	② Phosphor Bronze, T=0.3mm, Silver plating	1
⑥	Shunt Terminal	③ Brass, T=0.3mm, Silver plating	1
⑦	Shell	Stainless Steel, T=0.2mm, Nickel plating	1
⑧	Mylar	Polyimide, Yellow	1



Ordering Grid

DCJ250 - 15 - A - K1 - C Request Samples and Quotation

Circuit Diagram
A = 2 Conductors/3 Contacts
Insulator Colour
K1 = Black

Packing
C = Tape & Reel with Film
(150 per reel)

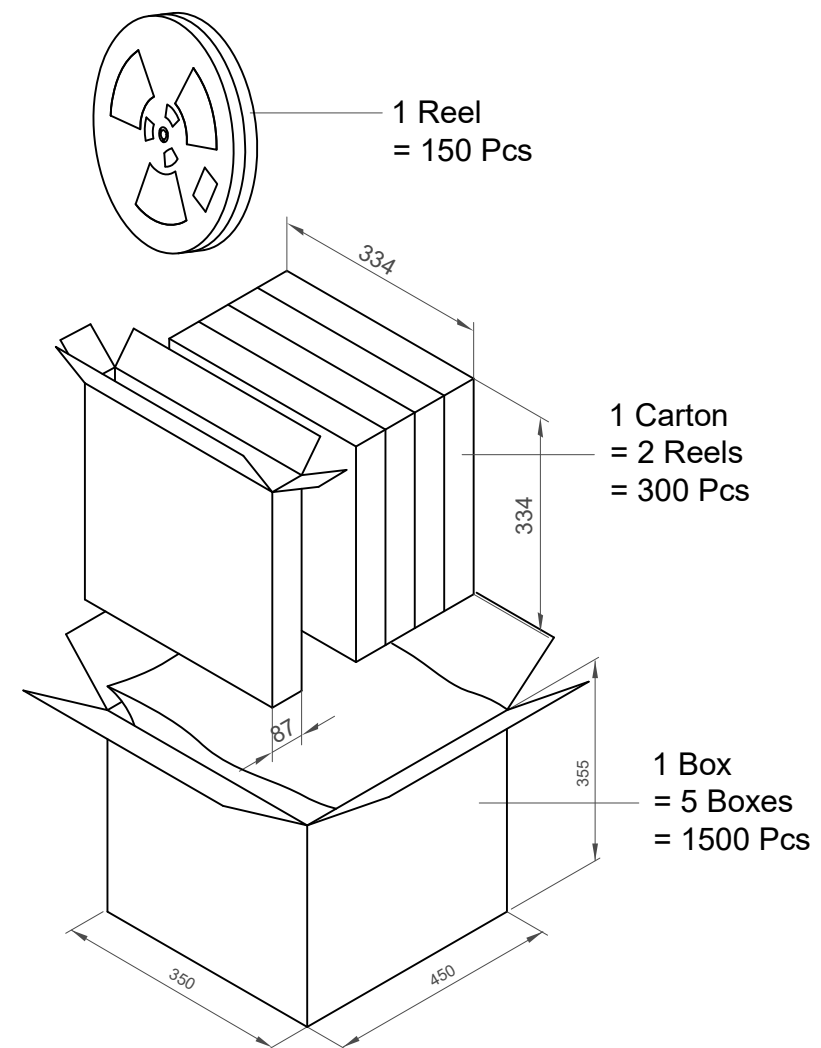
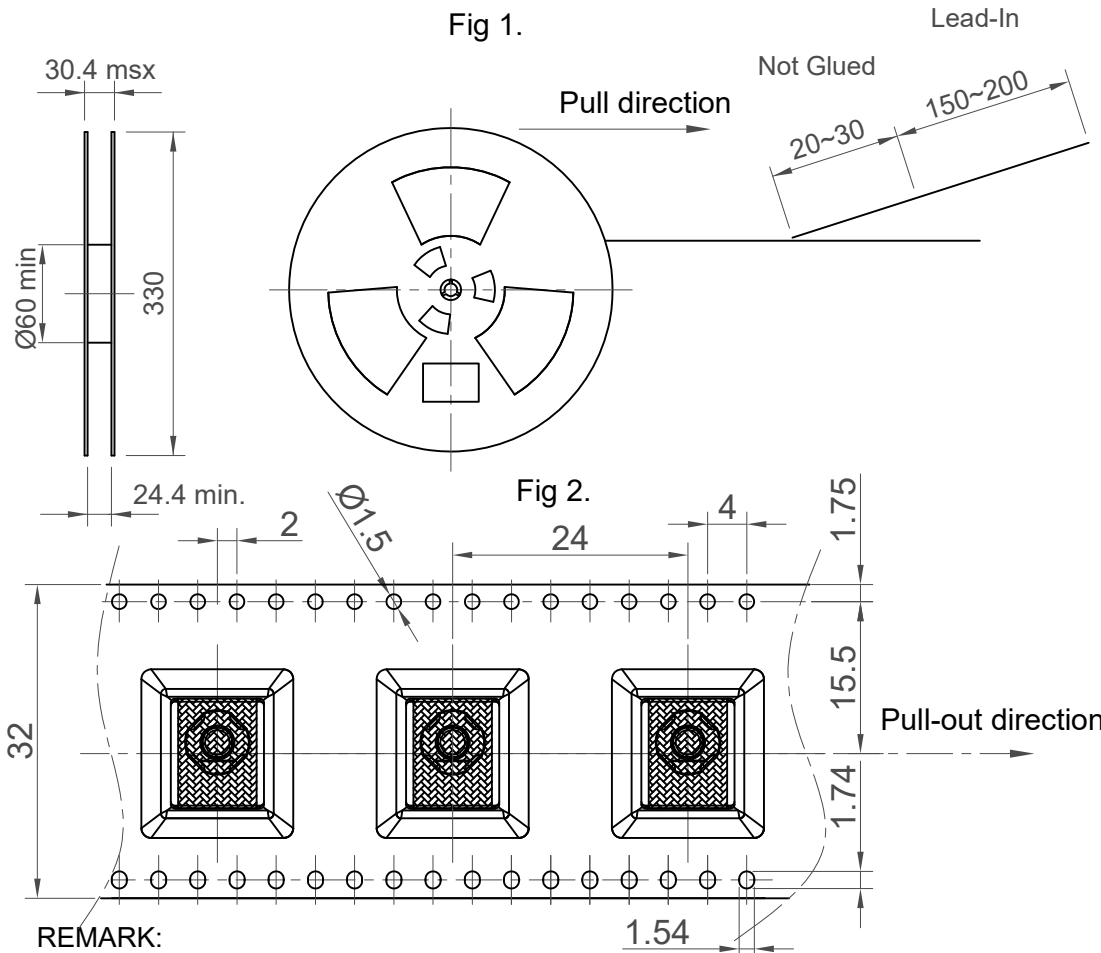
Part Number DCJ250-15		Product Description DC Power Jack, Thru-Hole, Vertical, Shielded	
Drawing Date 7th December 2015		Ø2.50mm Pin mates with Ø2.55mm Plug	
By AJO	Tolerances (Except as Noted) Length	Units: Metric (mm)	 <small>This drawing is confidential and copyright of Global Connector Technology, Ltd (GCT). This drawing must not be copied or disclosed without written consent. E & OE</small>
Detail Drawing Release	Angle	± 0.3	
Revision A		± 2°	
Date 07/12/15			



Not to Scale	Drawn By AJO	Sheet No. 1/2
--------------	-----------------	------------------

Part Number	Pcs/Reel	Reels/Carton	Cartons/Box	Pcs/Box
DCJ250-15	150	2	5	1500

Fig 3.



REMARK:

- The connector can not be loaded on the position of length 240~360mm in the reel tape and lead tape. The cover tape with 20~30mm length shall not be adhesive on the lead tape and the cover tape is lead portion shall have 150~200mm length (Refer FIG 1).
- Tape shall turn on right direction.
- The direction of connector is fixed regarding the position of terminal, please refer outline drawing (Refer FIG 2).
- After winding, using the adhesive tape (30~50mm) to stick the leader of cover tape on the side of reel.
- One reel can be loaded 150 pcs connector.
- The label shall be pasted on the front side of reel (Refer FIG 3).
- Condition of 300mm per minute, the extraction strength of cover tape shall reach 20~150 gf.
- If the quantity is less than 6 reels per carton, the packing shall be able to resist shaking.

Part Number DCJ250-15		Product Description DC Power Jack, Thru-Hole, Vertical, Shielded Ø2.50mm Pin mates with Ø2.55mm Plug	
Drawing Date 7th December 2015			
By AJO	Tolerances (Except as Noted) Length	Units: Metric (mm)	
Detail Drawing Release	Angle		
Revision A			
Date 07/12/15			
		This drawing is confidential and copyright of Global Connector Technology, Ltd (GCT). This drawing must not be copied or disclosed without written consent. E & OE	
Not to Scale	Drawn By AJO	Sheet No. 2/2	

