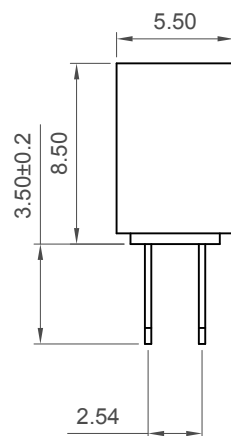
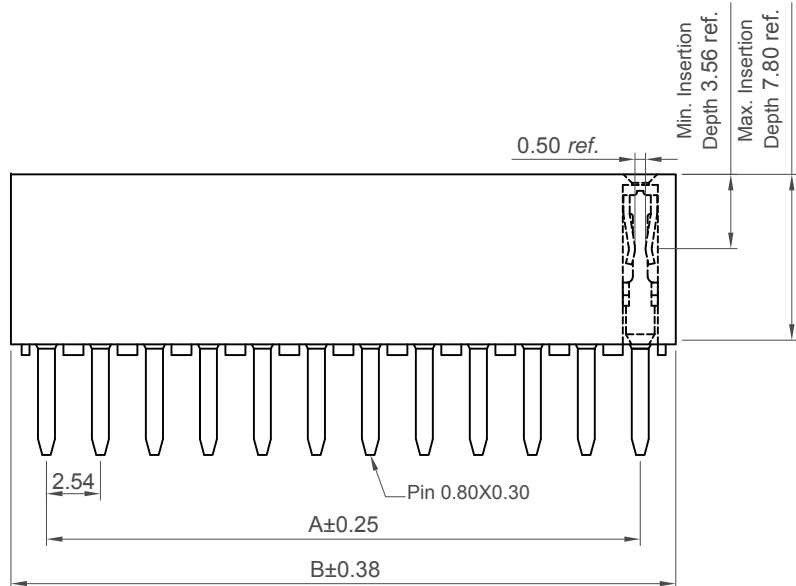


Recommended PCB Layout



Specifications

Material
 Contact: Copper Alloy
 Insulator Material:
 Standard: Polyamide, Nylon 6T, UL 94V-0
 Options: Polymer, LCP, UL 94V-0
 Polyester, PBT, UL 94V-0

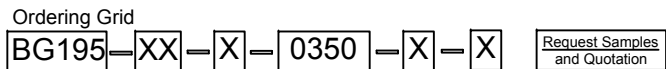
Plating
 See Ordering Grid

Electrical
 Current Rating: 3 Amp per pin
 Insulator Resistance: 1000 MΩ min.
 Contact Resistance: 20 mΩ max.
 Dielectric Withstanding: AC 600 V

Environmental & Mechanical
 Operating Temperature: -40° to +105°C
Soldering Process:
 Nylon 6T (Standard) -
 IR Reflow: 260°C for 10 sec.
 Wave: 230°C for 5-10 sec.
 Manual Solder: 350°C for 3-5 sec
 LCP (Option) -
 IR Reflow: 260°C for 10 sec.
 Wave: 250°C for 5-10 sec.
 Manual Solder: 350°C for 3-5 sec
 PBT (Option) -
 Manual Solder: 330°C for 3-5 sec.
 (Not suitable for hi-temp process)

Mates with (Subject to pin length)
 BG025 BG040 BG041 BG045 BG050
 BG065 BG066 BG070 BG085

No. of Contacts	Dimension	
	A	B
4	2.54	5.88
6	5.08	8.42
8	7.62	10.96
10	10.16	13.50
12	12.70	16.04
14	15.24	18.58
16	17.78	21.12
18	20.32	23.66
20	22.86	26.20
22	25.40	28.74
24	27.94	31.28
26	30.48	33.82
28	33.02	36.36
30	35.56	38.90
32	38.10	41.44
34	40.64	43.98
36	43.18	46.52
38	45.72	49.06
40	48.26	51.60
42	50.80	54.14
44	53.34	56.68
46	55.88	59.22
48	58.42	61.76
50	60.96	64.30
52	63.50	66.84
54	66.04	69.38
56	68.58	71.92
58	71.12	74.46
60	73.66	77.00
62	76.20	79.54
64	78.74	82.08
66	81.28	84.62
68	83.82	87.16
70	86.36	89.70
72	88.90	92.24
74	91.44	94.78
76	93.98	97.32
78	96.52	99.86
80	99.06	102.40



Contact Plating
A = Gold Flash All Over (Standard)
 B = Selective Gold Flash Contact Area/Tin On Tail
 C = Tin All Over
 G = 10µ" Gold Contact Area/Tin On Tail
 I = 30µ" Gold Contact Area/Tin On Tail

Insulator Material
N = Nylon 6T (Standard)
 P = PBT
 L = LCP
Tail Length (1/100mm)
 0350 = 3.50mm

Packing Options
D = Tube (Standard)
 (Not Available in 4 & 6 Contacts)
 E = Tube with Cap
 (Not Available in 4 & 6 Contacts)
 F = Tube with Film
 (Not Available in 4 & 6 Contacts)
 G = Plastic Box
 H = Tray
 (Only Available in 4 & 6 Contacts)

Part Number		Product Description	
BG195		2.54mm Pitch Socket, Dual Row, Through-Hole, Vertical	
Drawing Date		30th October 2006	
By	CC	Tolerances (Except as Noted)	Units:
Detail	BG195 G PCN	Length X ± 0.30 X.X ± 0.20 X.XX ± 0.15 X.XXX ± 0.10	Metric (mm)
Revision	G2	Angle X° ± 5° X.X° ± 2° X.XX° ± 1° X.XXX° ± 0.5°	3rd Angle Projection
Date	28/11/17		



This drawing is confidential and copyright of Global Connector Technology, Ltd (GCT). This drawing must not be copied or disclosed without written consent. E & OE



Not to Scale | Drawn By LYH | Sheet No. 1/1