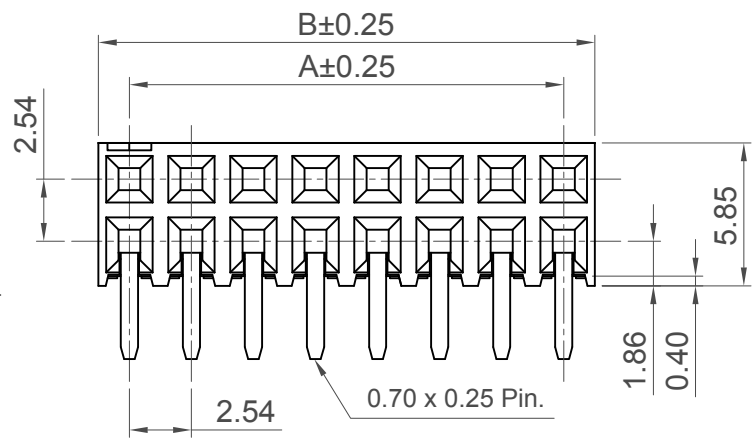
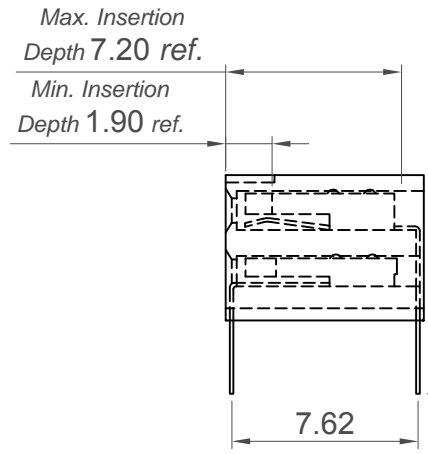
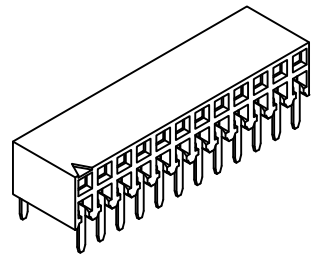


Recommended PCB Layout
General Tolerance: ± 0.05



Number of Contacts	Dimensions	
	A	B
4	2.54	5.08
6	5.08	7.62
8	7.62	10.16
10	10.16	12.70
12	12.70	15.24
14	15.24	17.78
16	17.78	20.32
18	20.32	22.86
20	22.86	25.40
22	25.40	27.94
24	27.94	30.48
26	30.48	33.02
28	33.02	35.56
30	35.56	38.10
32	38.10	40.64
34	40.64	43.18
36	43.18	45.72
38	45.72	48.26
40	48.26	50.80

Number of Contacts	Dimensions	
	A	B
42	50.80	53.34
44	53.34	55.88
46	55.88	58.42
48	58.42	60.96
50	60.96	63.50
52	63.50	66.04
54	66.04	68.58
56	68.58	71.12
58	71.12	73.66
60	73.66	76.20
62	76.20	78.74
64	78.74	81.28
66	81.28	83.82
68	83.82	86.36
70	86.36	88.90
72	88.90	91.44
74	91.44	93.98
76	93.98	96.52
78	96.52	99.06
80	99.06	101.60

Specifications

Material

Contact: Copper Alloy
 Insulato:
 Standard: Nylon 6T, UL94V-0
 Options: LCP, UL94V-0
 PBT, UL94V-0

Plating

See Ordering Grid

Electrical

Current Rating: 3 Amp *per pin*
 Contact Resistance: 20 mΩ max.
 Insulating Resistance: 1000 MΩ min.
 Dielectric Withstand Voltage: 600V AC

Mechanical & Environmental

Operating Temperature: -40°C to +105°C

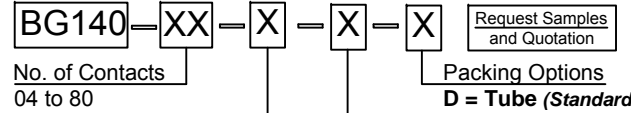
Soldering Process

Nylon 6T:
 IR Reflow: 260°C for 10 sec.
 Wave: 230°C for 5-10 sec.
 Manual Solder: 350°C for 3-5 sec
 PBT: Manual Solder: 330°C for 3-5 sec.
 (Not suitable for hi-temp process)
 LCP:
 IR Reflow: 260°C for 10 sec.
 Wave: 250°C for 5-10 sec.
 Manual Solder: 350°C for 3-5 sec

Mates with (Subject to pin length)

BG025 BG040 BG041 BG045 BG050
 BG065 BG066 BG070 BG085

Ordering Grid



Contact Plating

A = Gold Flash All Over (Standard)
 B = Selective Gold Flash Contact Area/Tin On Tail
 C = Tin All Over
 G = 10μ" Gold Contact Area/Tin On Tail
 I = 30μ" Gold Contact Area/Tin On Tail

Insulator Material

N = Nylon 6T (Standard)
 P = PBT
 L = LCP

Part Number		Product Description	
BG140		2.54mm Pitch Socket	
Drawing Date		Dual Row, Through-Hole, Horizontal	
30th October 2006			
By	CC	Tolerances (Except as Noted)	Units:
Detail	BG140 F PCN	Length X. ± 0.30 X.X ± 0.20 X.XX ± 0.15 X.XXX ± 0.10	Metric (mm)
Revision	F2	Angle X.° ± 5° X.X° ± 2° X.XX° ± 1° X.XXX° ± 0.5°	RoHS COMPLIANT 2011/65/EU Deca-SIDE
Date	16/11/17	3rd Angle Projection	This drawing is confidential and copyright of Global Connector Technology, Ltd (GCT). This drawing must not be copied or disclosed without written consent. E & OE



Not to Scale	Drawn By AJO	Sheet No. 1/1
--------------	--------------	---------------