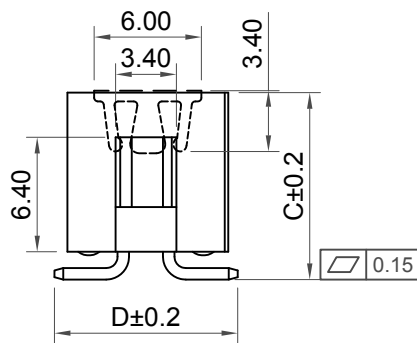
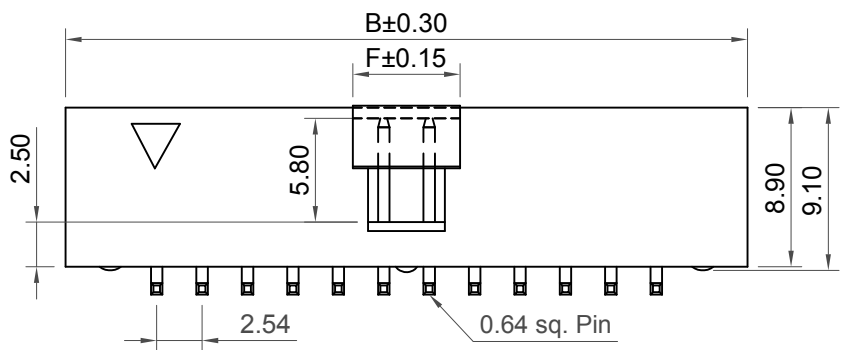
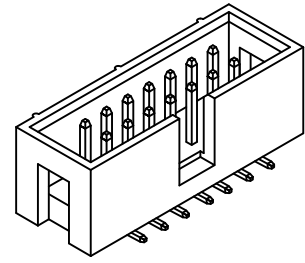


Recommended PCB Layout
As viewed from component side General Tolerance: ±0.05
Solder Area



Specifications

Material
Insulator:
Standard: Polyamide, Nylon 6T, UL94V-0
Options: Polymer, LCP, UL94V-0
Contact: Copper Alloy

Plating
Contact: See Ordering Grid

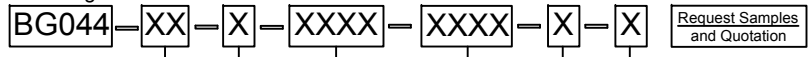
Electrical
Current Rating: 3 Amp Per Pin
Contact Resistance: 20 mΩ max.
Insulation Resistance: 1000 MΩ min.
Dielectric Withstand Voltage: 600 V AC

Mechanical & Environmental
Operating Temperature: -40°C to +105°C
Soldering Process
Nylon 6T (Standard)
IR Reflow: 260°C for 10 sec.
Manual Solder: 350°C for 3-5sec
LCP (Option)
IR Reflow: 260°C for 10 sec.
Manual Solder: 350°C for 3-5 sec

Mates with (Subject to Pin Length)
Allowing perfect polarisation: BG215 BG216
Non-Polarised mating connections available - contact GCT for details

Number of Contacts	Dimensions			
	A	B	E	F
6	5.08	15.24	12.94	6.00
8	7.62	17.78	15.48	
10	10.16	20.32	18.02	
12	12.70	22.86	20.56	
14	15.24	25.40	23.10	
16	17.78	27.94	25.64	
18	20.32	30.48	28.18	
20	22.86	33.02	30.72	
22	25.40	35.56	33.26	
24	27.94	38.10	35.80	
26	30.48	40.64	38.34	8.50
28	33.02	43.18	40.88	
30	35.56	45.72	43.42	
32	38.10	48.26	45.96	
34	40.64	50.80	48.50	
36	43.18	53.34	51.04	
38	45.72	55.88	53.58	
40	48.26	58.42	56.12	
42	50.80	60.96	58.66	
44	53.34	63.50	61.20	
46	55.88	66.04	63.74	
48	58.42	68.58	66.28	
50	60.96	71.12	68.82	
52	63.50	73.66	71.36	
54	66.04	76.20	73.90	
56	68.58	78.74	76.44	
58	71.12	81.28	78.98	
60	73.66	83.82	81.52	
62	76.20	86.36	84.06	
64	78.74	88.90	86.60	

Ordering Grid



No. of Contacts
06 to 64

Contact Plating

A = Gold Flash All Over (Standard)
B = Selective Gold Flash Contact Area/
Tin On Tail
C = Tin All Over
G = 10µ" Gold Contact Area/Tin On Tail
I = 30µ" Gold Contact Area/Tin On Tail

Packing Options
B = Tape & Reel with Cap (Standard)
D = Tube
E = Tube with Cap

Insulator Material
N = Nylon 6T (Standard)
L = LCP

Dimension D (1/100mm) (Footprint Width)
1025 = 10.25mm (Standard)
Or specify Custom Footprint Width
eg 0250 = 2.50mm
(Tooling charge may apply)

Dimension C (1/100mm) (Overall Height)
1035 = 10.35mm (Standard)
Or specify Custom Overall Height
eg 0250 = 2.50mm
(Maximum 1200 = 12.00mm)
(Minimum 0974 = 9.74mm)

Part Number		Product Description	
BG044		2.54mm Pitch Shrouded Header, Dual Row, Surface Mount, Vertical	
Drawing Date		16th April 2007	
By	CC	Tolerances (Except as Noted)	Units:
Detail	BG044 B PCN	Length X. ± 0.30 X.X ± 0.20 X.XX ± 0.15 X.XXX ± 0.10	Metric (mm)
Revision	B3	Angle X° ± 5° X.X° ± 2° X.XX° ± 1° X.XXX° ± 0.5°	3rd Angle Projection
Date	17/04/18		



This drawing is confidential and copyright of Global Connector Technology, Ltd (GCT). This drawing must not be copied or disclosed without written consent. E & OE



Not to Scale	Drawn By BC	Sheet No. 1/1
--------------	-------------	---------------