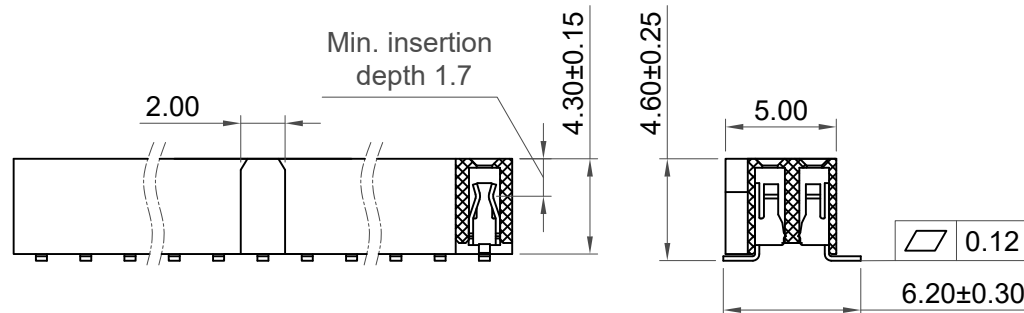
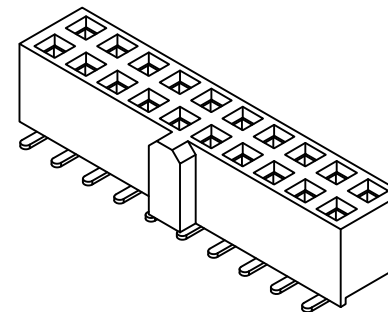


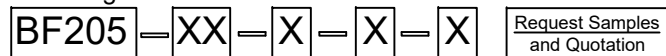
Recommended PCB Layout

General Tolerance: ±0.05

▨ Solder Area



Ordering Grid



No. of Contacts
06 to 50

Packing Options

C = Tape & Reel With Film (Standard)
F = Tube With Film

Insulator Material

9 = Nylon 9T (Standard)
L = LCP

Contact Plating

A = Gold Flash All Over (Standard)
B = Selective Gold Flash Contact Area/
Tin On Tail
C = Tin All Over
G = 10µ" Gold Contact Area/Tin On Tail
I = 30µ" Gold Contact Area/Tin On Tail

Specifications

Insulator:
Standard: Nylon 9T, UL94V-0, Black
Options: LCP, UL94V-0, Black
Contact: Phosphor Bronze

Plating
Contact: See Ordering Grid

Electrical
Current Rating: 2 Amp per pin
Contact Resistance: 20 mΩ max.
Insulation Resistance: 1000 MΩ min.
Dielectric Withstand Voltage: 500V AC

Mechanical & Environmental
Operating Temperature: -40°C to +105°C

Soldering Process
IR Reflow: 260°C for 10 sec.
Manual Solder: 350°C for 3-5sec

Mates with
BF190 BF195 BF200

Number of Contacts	Dimensions	
	A	B
6	4.00	6.50
8	6.00	8.50
10	8.00	10.50
12	10.00	12.50
14	12.00	14.50
16	14.00	16.50
18	16.00	18.50
20	18.00	20.50
22	20.00	22.50
24	22.00	24.50
26	24.00	26.50
28	26.00	28.50
30	28.00	30.50
32	30.00	32.50
34	32.00	34.50
36	34.00	36.50
38	36.00	38.50
40	38.00	40.50
42	40.00	42.50
44	42.00	44.50
46	44.00	46.50
48	46.00	48.50
50	48.00	50.50

Part Number		Product Description	
BF205		2.0mm pitch Socket	
Drawing Date		Dual Row, Surface Mount, Vertical	
27th September 2023			
By	CC	Tolerances (Except as Noted)	Units:
Detail	Drawing Release	Length	Metric (mm)
Revision	A	X.X ± 0.30	
Date	27/09/23	X.XX ± 0.20	
		Angle	
			3rd Angle Projection
			RoHS COMPLIANT 2011/65/EU
			Deca-SIDE
			This drawing is confidential and copyright of Global Connector Technology, Ltd (GCT). This drawing must not be copied or disclosed without written consent. E & OE



Not to Scale	Drawn By CC	Sheet No. 1/1
--------------	-------------	---------------